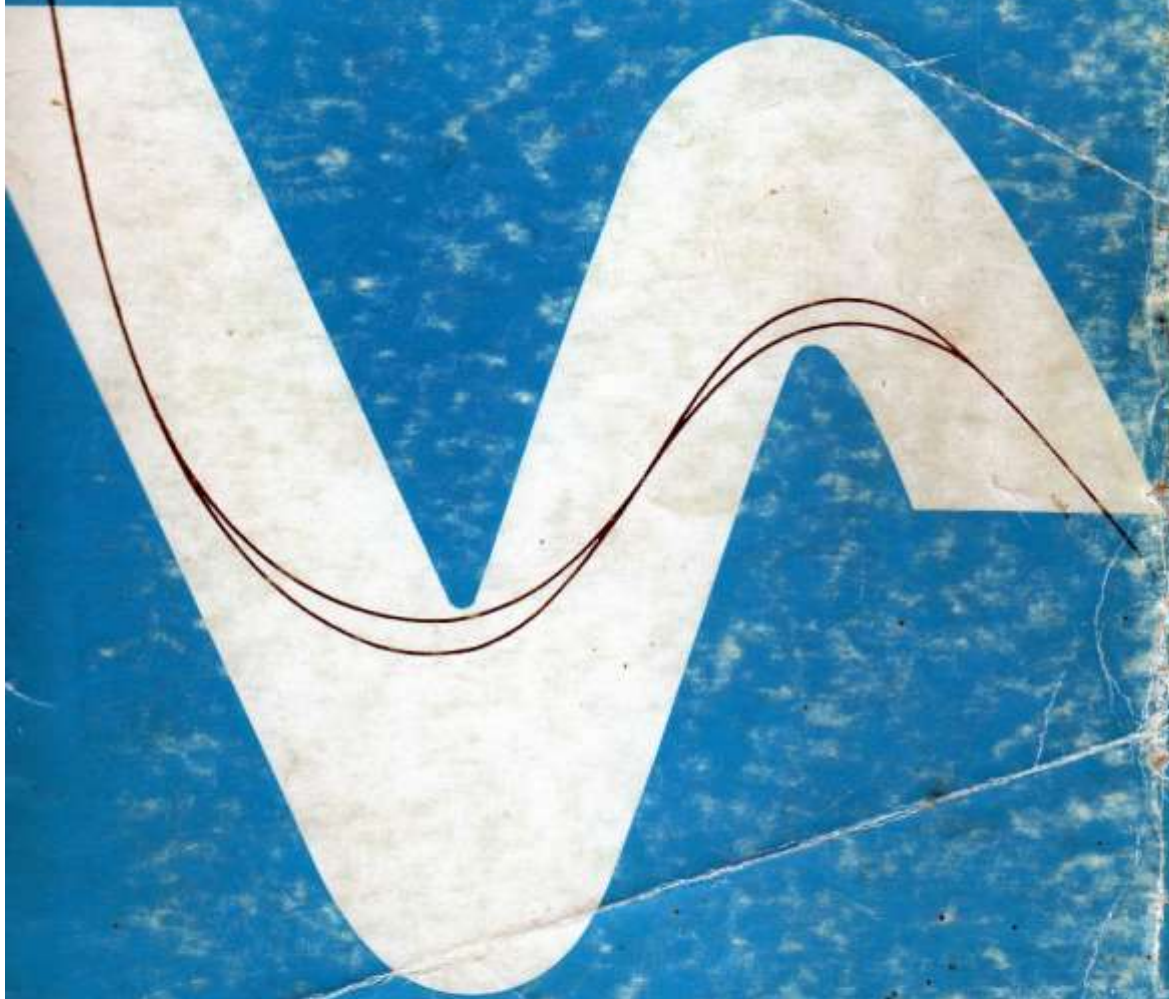


**HONDA**



**50**

**MODEL PS50 M**



**PARTS LIST**  
HONDA GENUINE PARTS

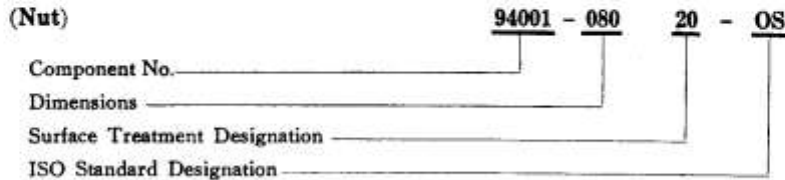
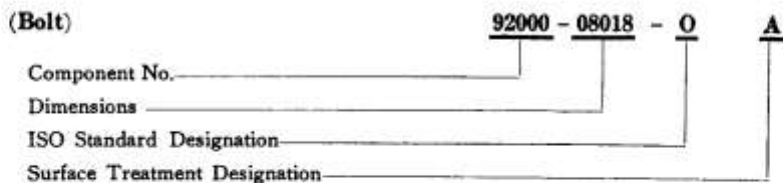
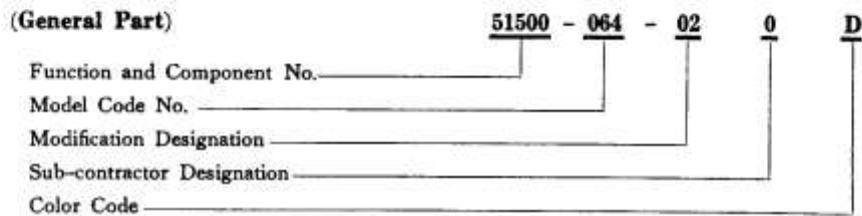
**HONDA**  
**GENUINE PARTS**



**3**

# HOW TO USE THIS PARTS LIST

1. This Parts List is used on the Honda 50 Model PS50.
2. In each component block, parts are arranged according to the disassembly procedure except for standard parts such as bolts, nuts which are found at the bottom of the page. Therefore, this list can also be utilized as a manual for servicing as well as for placement of orders for spare parts.
3. Composition of Part Number is as follows:



4. Announcement on parts modifications will be made with Parts News and/or Revision Sheets.
5. The figure under the heading "No. Used" indicates the number of pieces used in the respective component block.
6. Frame No. is located on the frame below the air cleaner case.
7. Dimensions are indicated in millimeters except for steel balls which are indicated in inches.

8. When modifications are made to a part, the reference number will change as 1-1, 1-2 etc. for the modified part with applicable serial numbers entered for each of it.
9. Placement of orders are requested to be made with our Parts Division under the Part Numbers, not by part descriptions.
10. This Parts List was compiled as of 1st April, 1969.

**Honda Motor Co., Ltd.**

**Service Division**

# ISO THREADED PARTS

- Not interchangeable with the previous threaded parts -

Threaded parts used in this model conform to the Thread Standard of ISO (International Standardization Organization), and are different from those used in the earlier models.

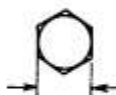
For servicing this model, therefore, tool set for the earlier models is not sufficient. Socket or box wrenches for 5.5 mm, 7 mm, 12 mm, 22 mm, 24 mm and 27 mm in width across the flats will become necessary.

ISO threads with 3 mm, 4 mm, 5 mm and 12 mm thread diameters are different in pitches from the earlier threads, therefore, confused use of threaded parts will result in damages to threads.

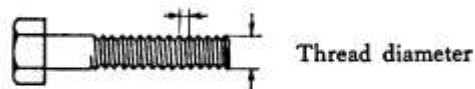
Change in pitch

Thread Diameter	Earlier Pitch	ISO Pitch
3 mm	0.6	0.5
4 mm	0.75	0.7
5 mm	0.9	0.8
12 mm	1.5	1.25

Width across flat






Pitch



## How to identify ISO threaded parts

For easy identification, the following markings are made on the new ISO threaded parts.

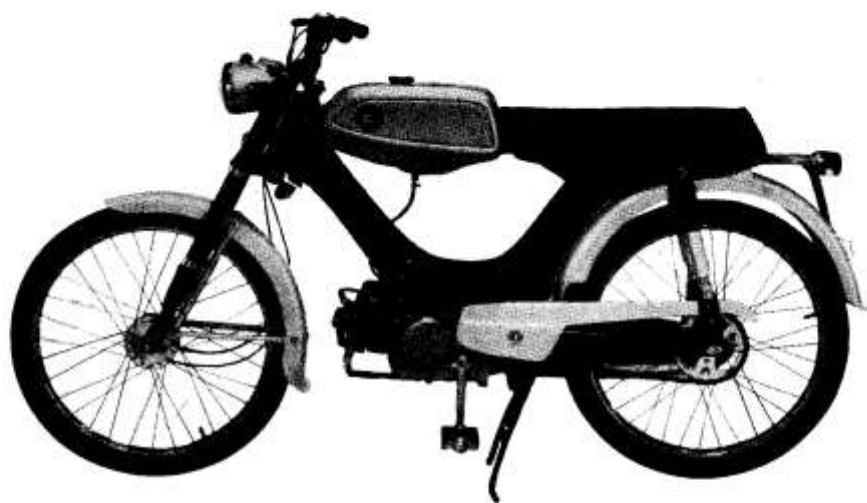
- Hex. bolts  ← Presence of figure on the bolt head
- Cross screws  ← Semi-spherical embossement on the head
- Nuts  ← Semi-spherical dimple

They can also be identified by the part numbers.

92000 - 08012 - OA

Those parts with this marking at the end of the part numbers are of ISO threads.

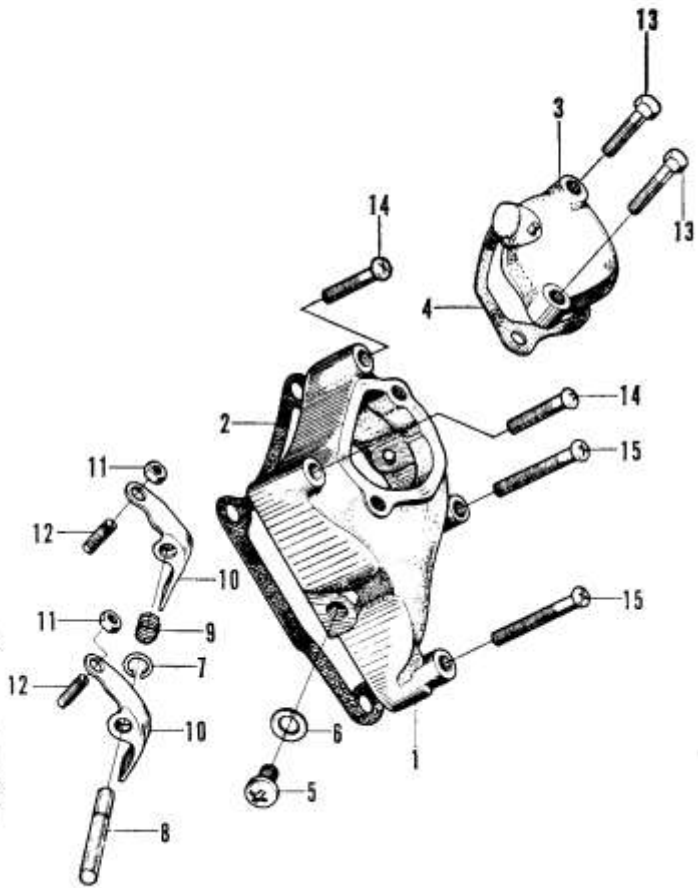
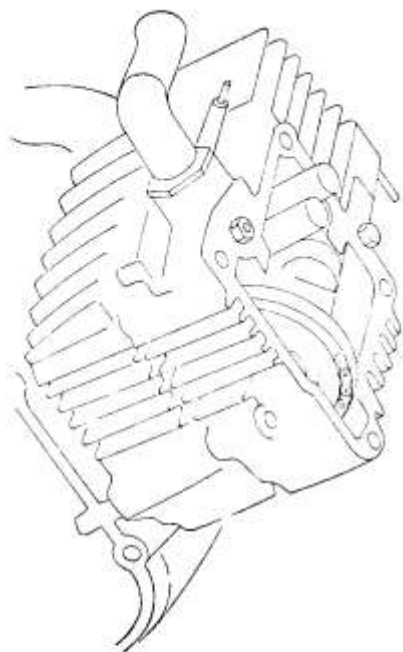
For further details, please refer to Service Bulletin No. 004 dated April 20, 1967.



# CONTENTS

Ref. No.	Nomenclature	Page
<b>ENGINE GROUP</b>		
E- 1.....	Cylinder Head Cover .....	2
E- 2.....	Cylinder Head • Camshaft .....	4
E- 3.....	Cylinder • Cam Chain .....	6
E- 4.....	Right Crankcase Cover .....	8
E- 5.....	Clutch .....	10
E- 6.....	Crankshaft .....	12
E- 7.....	Generator .....	14
E- 8.....	Main Shaft • Counter Shaft.....	16
E- 9.....	Rear Brake • Pedal Shaft.....	18
E-10.....	Right Crankcase • Left Crankcase.....	20
E-11.....	Carburetor (Keihin) .....	22
<b>FRAME GROUP</b>		
F- 1.....	Steering Handle .....	26
F- 2.....	Front Fender .....	30
F- 3.....	Front Fork .....	32
F- 4.....	Front Wheel .....	36
F- 5.....	Air Cleaner .....	38
F- 6.....	Seat • Fuel Tank.....	40
F- 7.....	Chain Case • Rear Fork .....	42
F- 8.....	Rear Fender • Muffler .....	44
F- 9.....	Pedal • Stand .....	46
F-10.....	Rear Cushion .....	48
F-11.....	Rear Wheel .....	50
F-12.....	Frame Body.....	52
F-13.....	Head Light • Tail Light .....	54
F-14.....	Tail Light (Used in England) .....	58
F-15.....	Pillion Step (Optional Parts) .....	60

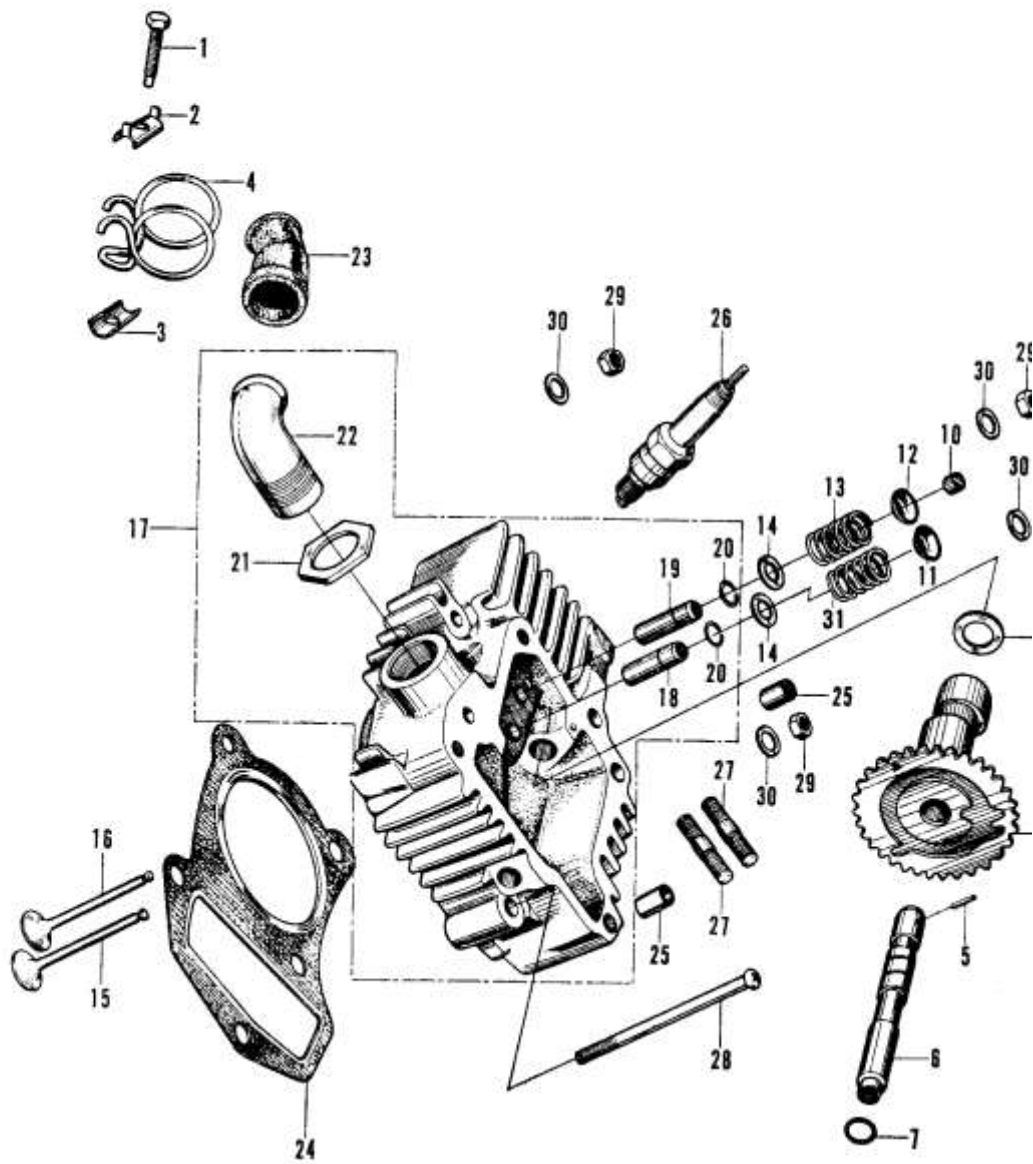


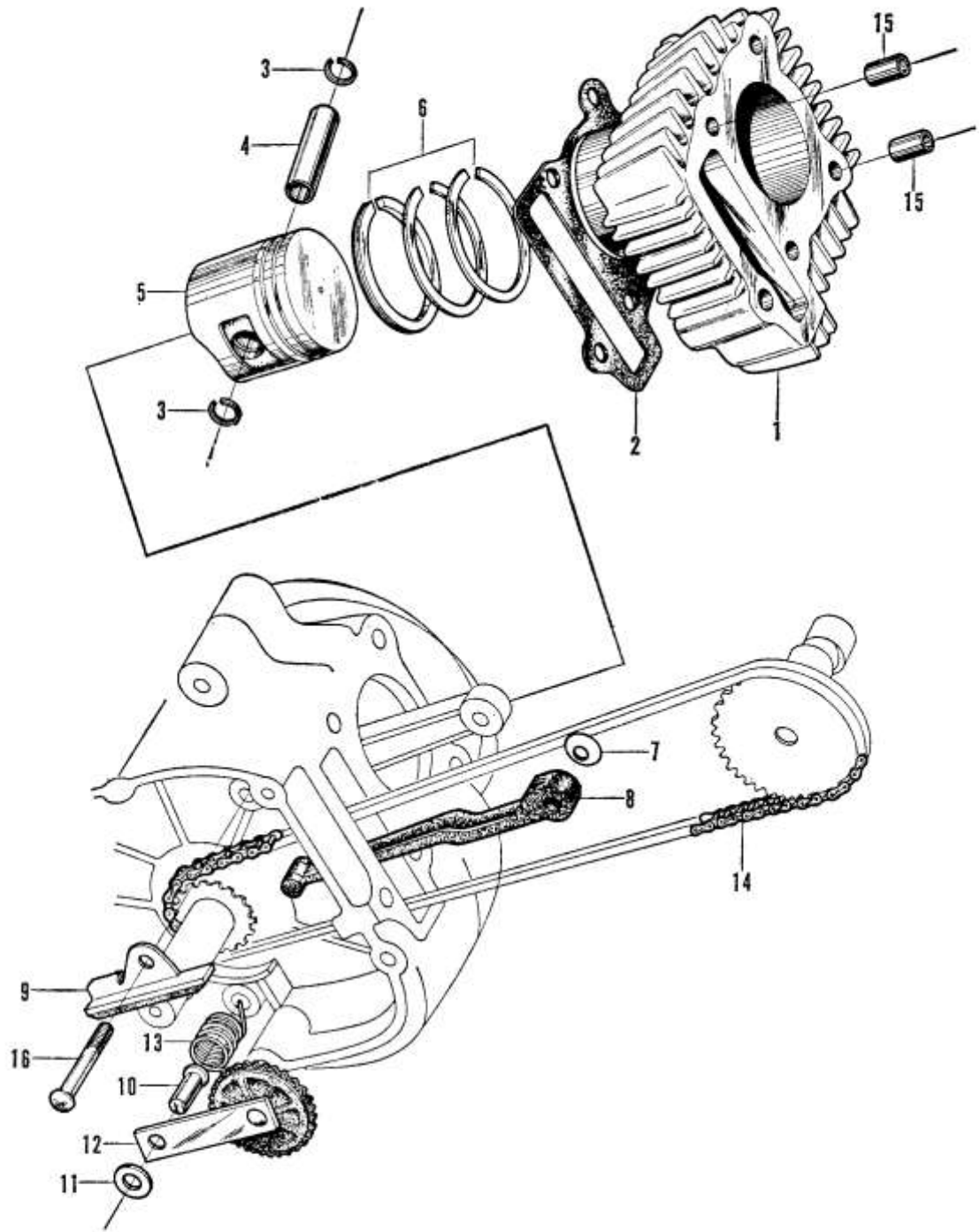




Ref. No.	Part No.	Description	No. Reqd.	No. Used on		Ne N
				From	To	
1	12301-063-000	COVER, cylinder head .....	1	PS50-1000001		
2	12391-044-030	GASKET, cylinder head cove. ....	1	PS50-1000001		
3	12361-064-000	CAP, tappet .....	1	PS50-1000001		
4	12401-044-020	GASKET, tappet cap.....	1	PS50-1000001		
5	90081-044-000	BOLT, sealing, 8 mm.....	1	PS50-1000001		
6	90488-044-000	WASHER, 8 mm.....	1	PS50-1000001		
7	90603-044-000	CIR-CLIP, 6 mm.....	1	PS50-1000001		
8	14451-044-000	SHAFT, valve rocker arm .....	1	PS50-1000001		
9	14481-044-000	SPRING, side, rocker arm .....	1	PS50-1000001		
10	14431-044-030	ARM, valve rocker .....	2	PS50-1000001		
11	90206-001-000	NUT, tappet adjusting .....	2	PS50-1000001		
12	90012-044-000	SCREW, tappet adjusting.....	2	PS50-1000001		
13	92100-06022	BOLT, hex., 6×22 .....	2			
14	93500-06028	SCREW, pan, 6×28 .....	2			
15	93500-06036	SCREW, pan, 6×36 .....	2			

Ref. No.	Part No.	Description	No. Reqd.	No. Used on		News No.
				From	To	
1	16266-063-000	BOLT, set, 6 mm .....	1	PS50-1000001		
2	16267-063-000	WASHER A, set bolt, 6 mm .....	1	PS50-1000001		
3	16268-063-000	WASHER B, set bolt, 6 mm .....	1	PS50-1000001		
4	16265-063-000	BAND, carburetor connecting .....	1	PS50-1000001		
5	90742-044-000	PIN, knock, 3x12 .....	1	PS50-1000001		
6	14120-044-020	PIN, center, camshaft .....	1	PS50-1000001		
7	91302-044-010	O-RING, 6.9x1.5 .....	1	PS50-1000001		
8	14100-044-030	CAMSHAFT .....	1	PS50-1000001		
9	90457-044-010	WASHER A, 10 mm .....	1	PS50-1000001		
10	14777-044-010	ADJUSTER, tappet clearance.....	1	PS50-1000001	PS50-1007189	8038
●10-1	14777-044-020	ADJUSTER, tappet clearance.....	1	PS50-1007190		
11	14771-044-000	RETAINER, valve spring (IN) .....	1	PS50-1000001		
12	14772-044-000	RETAINER, valve spring (EX) .....	1	PS50-1000001	PS50-1007189	8039
●12-1	14772-044-010	RETAINER, valve spring (EX) .....	1	PS50-1007190		
13	14751-044-000	SPRING, valve .....	2	PS50-1000001	PS50-1007189	
●13-1	14751-044-010	SPRING, valve .....	2	PS50-1007190	PS50-1007292	8039
●13-2	14751-044-010	SPRING, valve .....	1	PS50-1007293		8040
14	14781-044-000	SEAT, under, valve spring .....	2	PS50-1000001		
15	14711-044-680	VALVE, inlet .....	1	PS50-1000001		
16	14721-044-682	VALVE, exhaust .....	1	PS50-1000001		
17	12200-063-000	HEAD, cylinder .....	1	PS50-1000001	PS50-1000665	
●17-1	12200-063-010	HEAD, cylinder .....	1	PS50-1000666		8024
18	12021-044-000	GUIDE, inlet valve .....	1	PS50-1000001		
19	12023-044-000	GUIDE, exhaust valve .....	1	PS50-1000001		
20	12206-044-300	CLIP, valve guide .....	2	PS50-1000001		
21	90232-063-000	NUT, lock, inlet pipe .....	1	PS50-1000001		
22	12203-063-310	PIPE, inlet .....	1	PS50-1000001	PS50-1000665	
●22-1	12203-063-320	PIPE, inlet .....	1	PS50-1000666		8024
23	12204-063-000	RUBBER, inlet pipe .....	1	PS50-1000001	PS50-1000665	
●23-1	12204-063-010	RUBBER, inlet pipe .....	1	PS50-1000666		8024
24	12251-044-020	GASKET, cylinder head .....	1	PS50-1000001		
25	94301-08140	PIN, dowel, 8x10A .....	2			
26	98056-56710	PLUG, sparking .....	1			
27	92700-06030	BOLT, stud, 6x30 .....	2			
28	93500-00080	SCREW, pan, 6x80 .....	1			
29	94001-06000	NUT, hex., 6 mm .....	4			
30	94101-06000	WASHER, plain, 6 mm.....	4			
●31	14761-063-000	SPRING, inlet valve .....	1	PS50-1007293		8040





### E-3 Cylinder · Cam Chain

**HONDA**

Ref. No.	Part No.	Description	No. Reqd.	No. Used on		News No.
				From	To	
1	12101-063-010	CYLINDER .....	1	PS50-1000001		
2	12191-063-000	GASKET, cylinder .....	1	PS50-1000001		
3	13115-001-000	CLIP, piston pin.....	2	PS50-1000001		
4	13111-044-010	PIN, piston .....	1	PS50-1000001		
5	13101-044-030	PISTON.....	1	PS50-1000001		
6	13010-044-000	RING-SET, piston .....	1	PS50-1000001		
7	90458-044-000	WASHER B, 10 mm .....	1	PS50-1000001		
8	15420-044-060	GUIDE, oil .....	1	PS50-1000001	PS50-1000665	
● 8-1	15420-063-000	GUIDE, oil .....	1	PS50-1000666		8022
9	11130-063-020	GUIDE, cam chain.....	1	PS50-1000001	PS50-1000665	8022
10	11116-063-300	RIVET, 4 mm .....	1	PS50-1000001	PS50-1000665	
● 10-1	11116-063-310	RIVET, 4 mm .....	1	PS50-1000666		8022
11	90445-063-300	WASHER, 4 mm.....	1	PS50-1000001		
12	11120-063-310	TENSIONER, cam chain.....	1	PS50-1000001	PS50-1000665	
● 12-1	11120-063-320	TENSIONER, cam chain.....	1	PS50-1000666		8022
13	11117-063-300	SPRING, cam chain tensioner .....	1	PS50-1000001	PS50-1000665	
● 13-1	11117-063-330	SPRING, cam chain tensioner .....	1	PS50-1000666		8022
14	14401-044-000	CHAIN, cam .....	1	PS50-1000001		
15	94301-08140	PIN, dowel, 8×14A .....	2			
16	93500-06045	SCREW, pan, 6×45 .....	1	PS50-1000001	PS50-1000665	
● 16-1	93500-06040	SCREW, pan, 6×40 .....	1	PS50-1000666		8022
● 17	11122-044-310	ROLLER, cam chain tensioner .....	1	PS50-1000666		8022
● 18	11141-063-300	PIN, guide roller .....	1	PS50-1000666		8022
● 19	90441-044-300	WASHER, thrust, 4 mm .....	1	PS50-1000666		8022

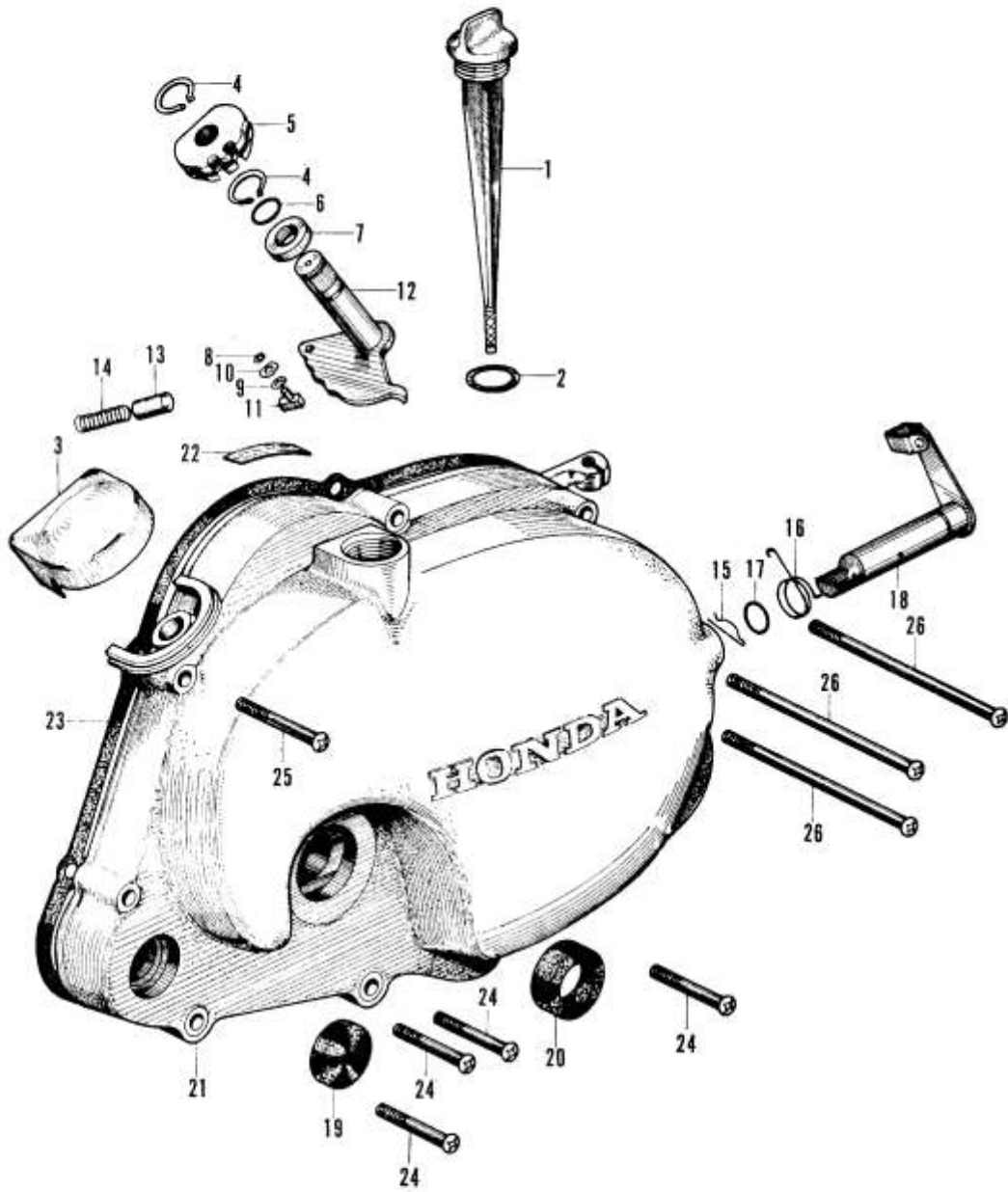
# HONDA

## E-4 Right Crankcase Cover

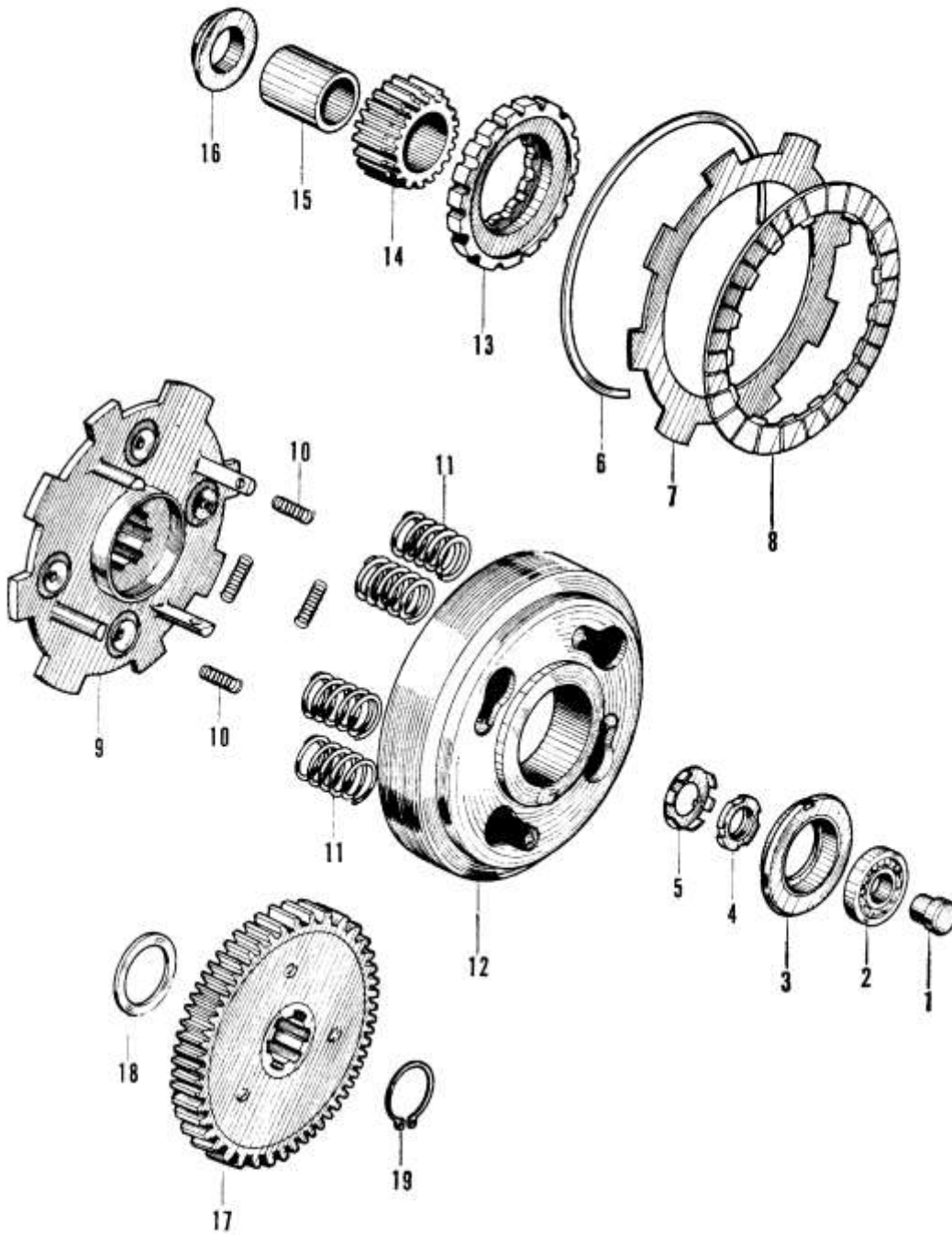
Ref. No.	Part No.	Description	No. Reqd.	No. Used on		News No.
				From	To	
1	15650-063-000	(Superseded by 15650-063-313) .....				
● 1-1	15650-063-313	(Superseded by 15650-063-010) .....				8010
● 1-2	15650-063-010	GAUGE, oil label .....	1	PS50-1000001		8034
2	91311-044-000	O RING, 18×3 .....	1	PS50-1000001		
3	11350-064-010	COVER, gear shift wheel.....	1	PS50-1000001		
4	94510-11000	CIR-CLIP, 11 mm .....	2			
5	24611-064-020	WHEEL, gear shift .....	1	PS50-1000001		
6	91308-283-000	O RING, 7.8×2.2 .....	1	PS50-1000001		
7	24641-064-000	COLLAR, gear shift arm .....	1	PS50-1000001		
8	90605-064-000	CIR-CLIP, E type, 3 mm.....	1	PS50-1000001		
9	90609-064-000	WASHER, 4 mm.....	1	PS50-1000001		
10	90611-064-000	WASHER, wave, 4 mm .....	1	PS50-1000001		
11	24208-064-010	PIN, gear shifter.....	1	PS50-1000001		
12	24630-064-010	ARM, gear shift .....	1	PS50-1000001		
13	24661-064-000	STOPPER, gear shift arm .....	1	PS50-1000001		
14	24672-064-000	SPRING, gear shift stopper.....	1	PS50-1000001	PS50-1002487	
● 14-1	24672-064-010	SPRING, gear shift stopper.....	1	PS50-1002488		8016
15	22813-064-000	PIN, lock, 13 mm .....	1	PS50-1000001		
● 16	22815-064-030	SPRING, clutch lever .....	1	PS50-1000001		8005
17	91301-812-000	O RING, 10 mm .....	1	PS50-1000001		
18	22810-064-010	LEVER, clutch .....	1	PS50-1000001	PS50-1000580	
● 18-1	22810-064-020	LEVER, clutch .....	1	PS50-1000581		8007
19	28252-064-000	CAP, kick spindle hole.....	1	PS50-1000001		
20	91204-063-003	OIL-SEAL, 16,26.6 (Arai) .....	1	PS50-1000001		
21	11331-064-030	(Superseded by 11331-064-040) .....				
● 21-1	11331-064-040	COVER, right crankcase .....	1	PS50-1000001		8019
22	11332-064-000	(Superseded by 11332-064-010) .....				
● 22-1	11332-064-010	LABEL, oil .....	1	PS50-1000001		8010
23	11394-063-010	PACKING, right crankcase cover.....	1	PS50-1000001		
24	93500-06036	SCREW, pan, 6×36 .....	4			
25	93500-06040	SCREW, pan, 6×40 .....	1			
26	93500-06100	SCREW, pan, 6×100.....				

E-4 Right Crankcase Cover

HONDA







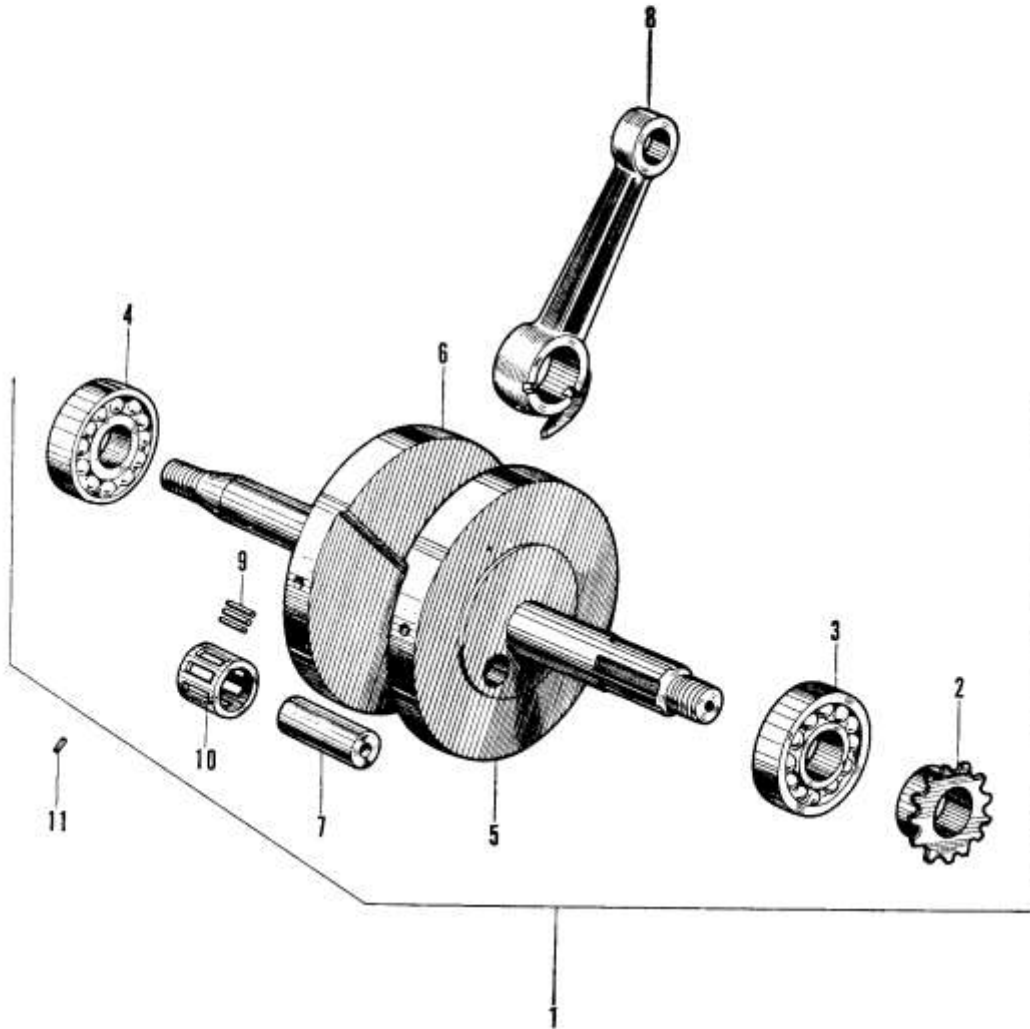
## E-5 Clutch

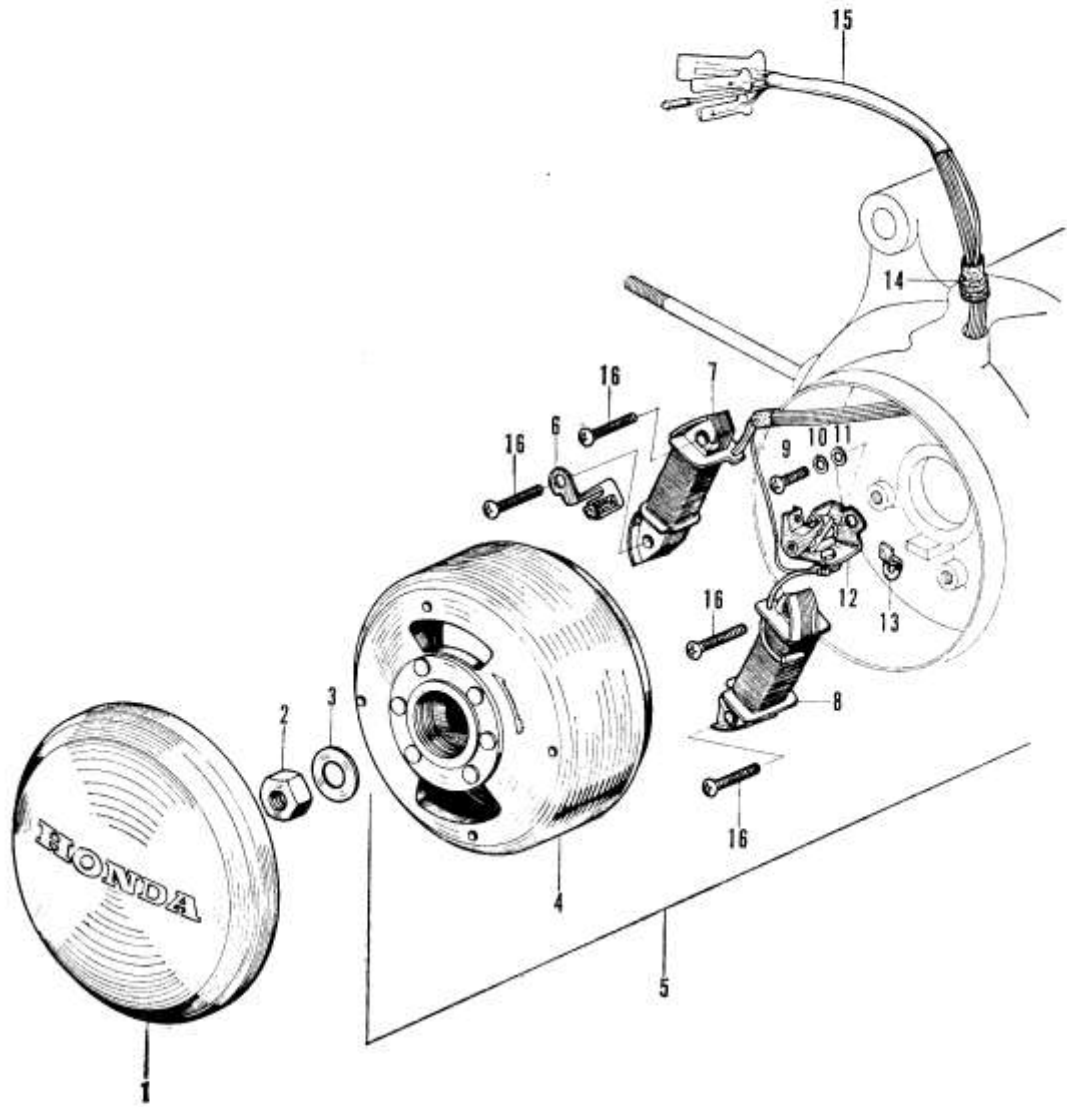
## HONDA

Ref. No.	Part No.	Description	No. Reqd.	No. Used on		News No.
				From	To	
1	22112-064-000	PIN, clutch outer cover .....	1	PS50-1000001		
2	96100-60000	BEARING, radial, ball, 6000 .....	1			
3	22111-064-020	COVER, clutch outer .....	1	PS50-1000001		
4	90231-041-000	NUT, lock, 14 mm .....	1	PS50-1000001		
5	90443-044-000	WASHER, lock, 14 mm .....	1	PS50-1000001		
6	22901-001-000	SET-RING, 101.5 mm .....	1	PS50-1000001		
7	22331-035-000	PLATE C, clutch .....	1	PS50-1000001		
8	22201-035-000	DISK, clutch friction .....	1	PS50-1000001		
9	22351-064-010	PLATE, drive .....	1	PS50-1000001		
10	22421-035-000	SPRING, clutch damper .....	4	PS50-1000001		
11	22401-035-000	SPRING, clutch .....	4	PS50-1000001		
12	22101-064-010	OUTER, clutch .....	1	PS50-1000001		
13	22120-036-020	CENTER, clutch .....	1	PS50-1000001		
14	23101-064-010	GEAR, primary drive (18T) .....	1	PS50-1000001		
15	22131-064-010	GUIDE, clutch center .....	1	PS50-1000001		
16	14315-044-010	COLLAR, timing sprocket distance .....	1	PS50-1000001		
17	23110-063-000	GEAR, primary driven (51T) .....	1	PS50-1000001		
18	90451-040-000	WASHER, thrust, 17 mm .....	1	PS50-1000001		
19	94510-17000	CIR-CLIP, external, 17 mm .....	1			
● 20	90466-064-000	WASHER, 10 mm .....	1	PS50-1000001		8008
		(for clutch adjustment)				

**HONDA****E-6 Crankshaft**

Ref. No.	Part No.	Description	No. Reqd.	No. Used on		News No.
				From	To	
1	13000-063-020	CRANKSHAFT ASSY. ....	1	PS50-1000001		
2	14311-063-310	SPROCKET, timing (15T) .....	1	PS50-1000001		
3	96100-62030	BEARING, ball, 6203.....	1			
4	96100-62020	BEARING, ball, 6202.....	1			
5	13311-063-310	CRANKSHAFT, right .....	1	PS50-1000001		
6	13321-063-310	CRANKSHAFT, left.....	1	PS50-1000001		
7	13381-063-300	PIN, crank .....	1	PS50-1000001		
8	13201-063-300	ROD, connecting.....	1	PS50-1000001		
9	91101-205-010	ROLLER, 2.5×8.5 .....	20	PS50-1000001		
10	13211-044-030	RETAINER, roller.....	1	PS50-1000001		
11	90741-044-000	PIN, knock, 3×4.....	1	PS50-1000001		





**E-7 Generator**

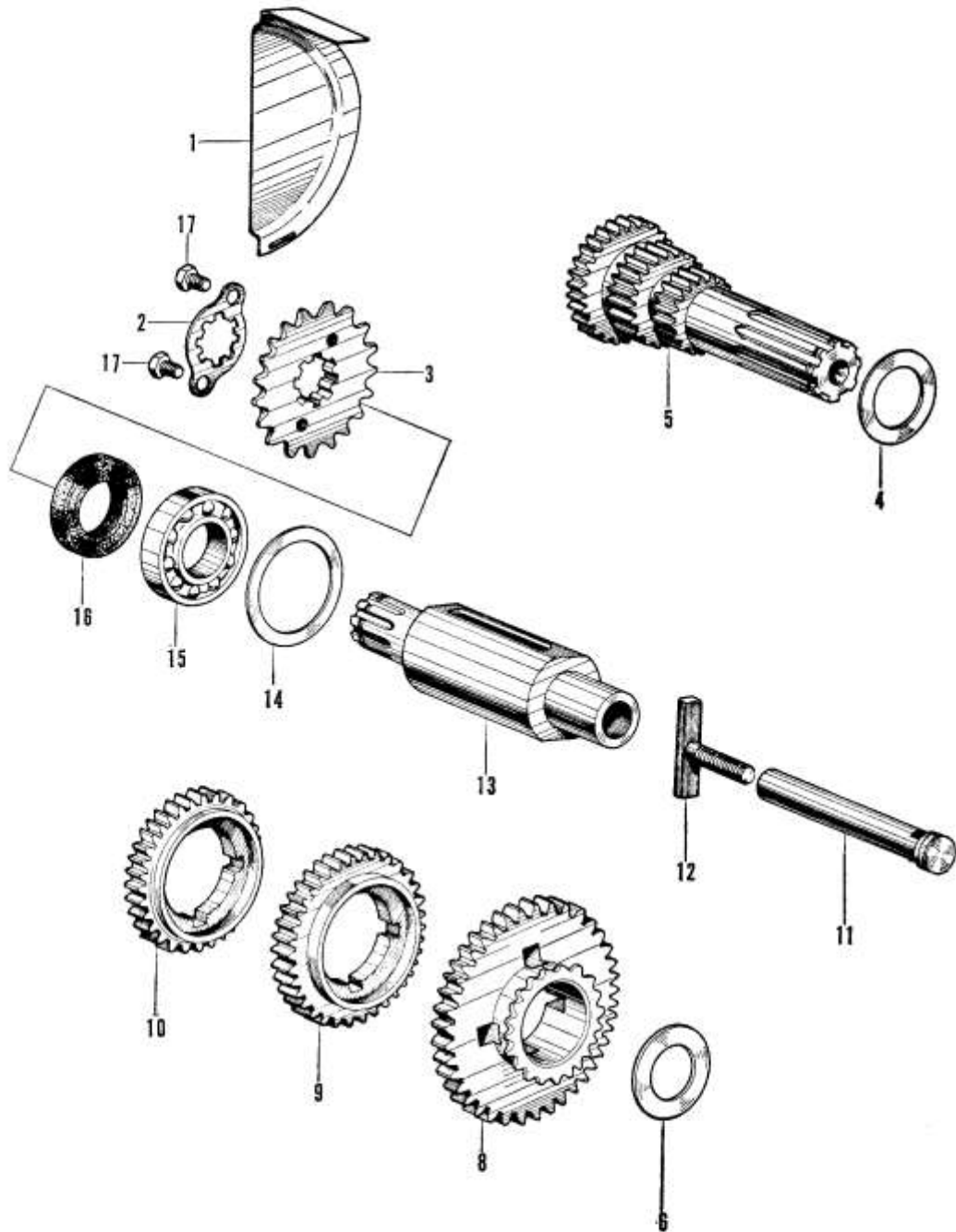
**HONDA**

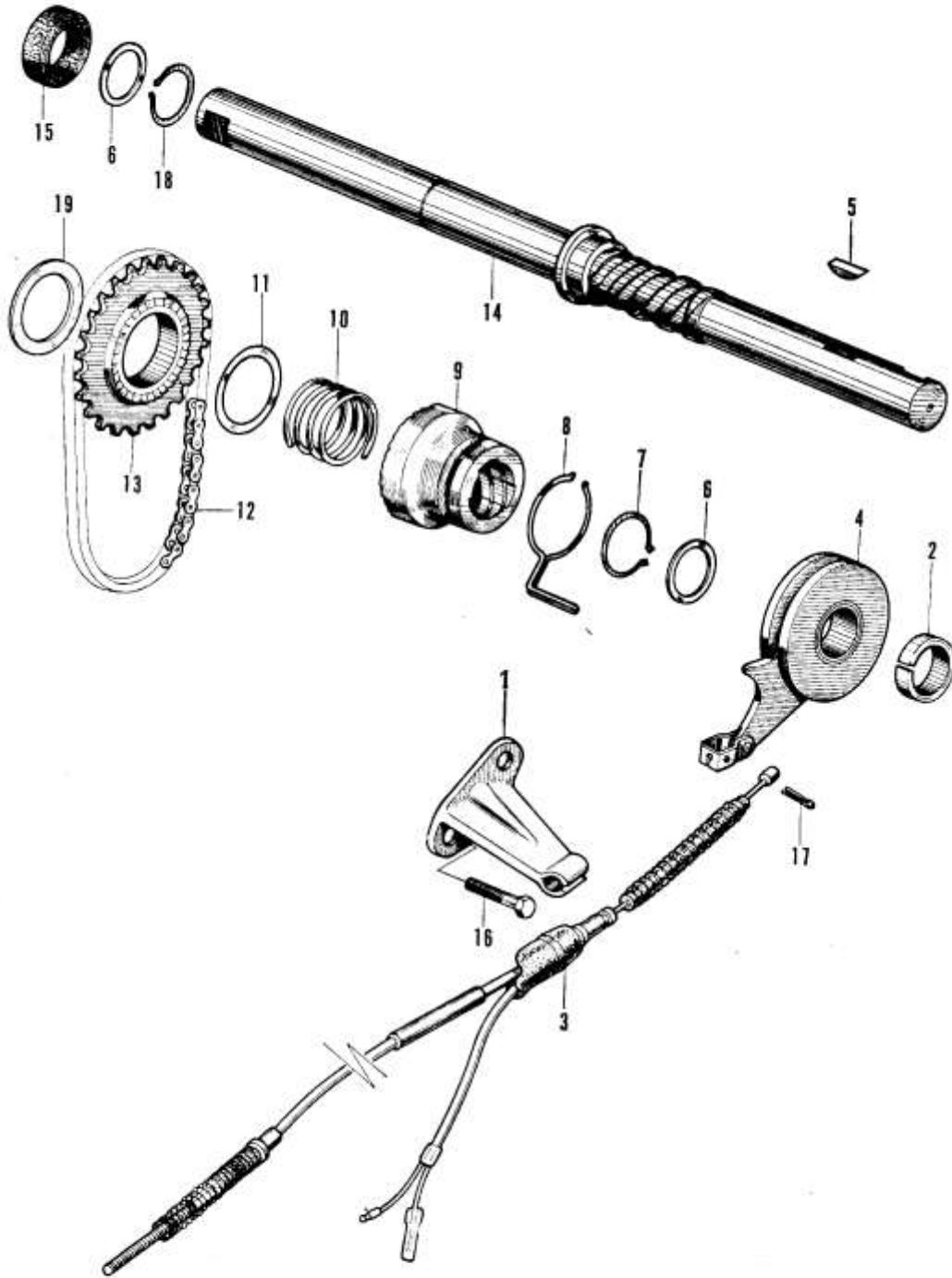
Ref. No.	Part No.	Description	No. Reqd.	No. Used on		News No.
				From	To	
1	11431-063-000	COVER, dynamo.....	1	PS50-1000001		
2	90201-044-000	NUT, 10 mm.....	1	PS50-1000001		
3	90425-001-000	WASHER, magneto fixing .....	1	PS50-1000001		
4	31121-063-004	FLYWHEEL (Nippon Denso) .....	1	PS50-1000001		
		(Used in General)				
	31121-063-601	FLY WHEEL (Nippon Denso) .....	1	PS50-1000001		
		(Used in England)				
	31121-063-621	FLYWHEEL (Nippon Denso) .....	1	PS50-1000001		
		(Used in France)				
● 5	31100-063-680	A.C GENERATOR ASSY., flywheel ...	1	PS50-1000001		8009
		(Nippon Denso) (Used in General)				
	31100-063-601	A.C GENERATOR ASSY., flywheel ...	1	PS50-1000001		
		(Nippon Denso) (Used in England)				
	31100-063-621	A.C GENERATOR ASSY., flywheel ...	1	PS50-1000001		
		(Nippon Denso) (Used in France)				
● 6	30205-044-004	FELT, oil (Nippon Denso) .....	1	PS50-1000001		8026
● 7	31632-063-680	COIL, lamp (Nippon Denso) .....	1	PS50-1000001		8009
		(Used in General)				
	31632-063-601	COIL, lamp (Nippon Denso) .....	1	PS50-1000001		
		(Used in England)				
	31632-063-621	COIL, lamp (Nippon Denso) .....	1	PS50-1000001		
		(Used in France)				
8	30541-063-004	COIL, primary (Nippon Denso).....	1	PS50-1000001		
9	30207-063-004	SCREW, breaker set (Nippon Denso)...	1	PS50-1000001		
10	30208-063-004	WASHER, spring (Nippon Denso) .....	1	PS50-1000001		
11	30209-063-004	WASHER, plain (Nippon Denso).....	1	PS50-1000001		
12	30202-063-004	BREAKER ASSY., contact .....	1	PS50-1000001		
		(Nippon Denso)				
13	32957-063-010	CLAMPER, dynamo cord .....	1	PS50-1000001		
14	32956-063-300	GROMMET, dynamo cord .....	1	PS50-1000001		
15	32958-044-000	COVER, wire harness .....	1	PS50-1000001		
16	93500-04020-0A	SCREW, pan., 4×20 .....	4	PS50-1000001	PS50-1003850	
● 16-1	90145-063-000	SCREW, pan., 4×22 .....	4	PS50-1003851		8037

**HONDA****E-8 Main Shaft · Counter Shaft**

Ref. No.	Part No.	Description	No. Reqd.	No. Used on		News No.
				From	To	
1	23805-063-010	COVER, drive chain .....	1	PS50-1000001		
2	23802-040-000	PLATE, drive sprocket fixing .....	1	PS50-1000001		
3	23801-027-811	SPROCKET, drive (14T) .....	1	PS50-1000001		
4	90451-040-000	WASHER, thrust, 17 mm .....	1	PS50-1000001		
5	23210-064-040	SHAFT, main, transmission .....	1	PS50-1000001	PS50-1000605	
● 5-1	23210-064-060	SHAFT, main, transmission .....	1	PS50-1000607		8015
6	90468-064-000	WASHER, 17 mm .....	1	PS50-1000001		
● 7						8004
● 8	23421-064-030	GEAR, low, counter shaft (49T) .....	1	PS50-1000001		8004
9	23441-064-010	GEAR, second, counter shaft (43T) .....	1	PS50-1000001		
10	23461-064-010	GEAR, top, counter shaft (39T) .....	1	PS50-1000001		
11	24205-064-010	SHAFT, gear change pawl .....	1	PS50-1000001		
12	24201-064-000	PAWL, gear change .....	1	PS50-1000001		
13	23221-064-040	SHAFT, counter, transmission .....	1	PS50-1000001		
14	90459-064-010	WASHER, thrust, 30.5 mm .....	1	PS50-1000001		
15	96100-60030	BEARING, radial ball, 6003 .....	1			
16	91023-035-000	OIL-SEAL, 17.29.5 .....	1	PS50-1000001		
17	92100-06008	BOLT, hex., 6×8 .....	2			







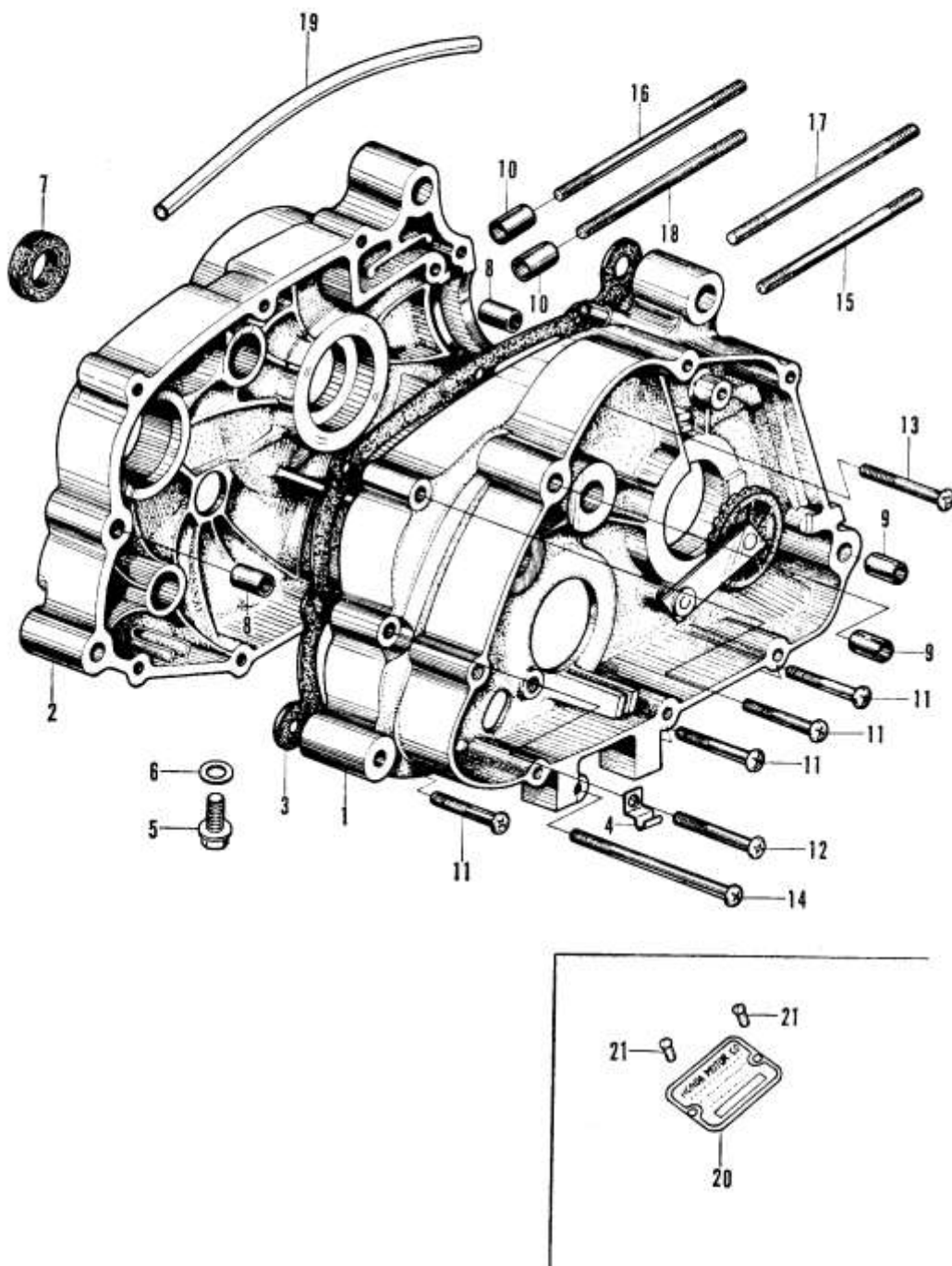
## E-9 Rear Brake Pedal Shaft

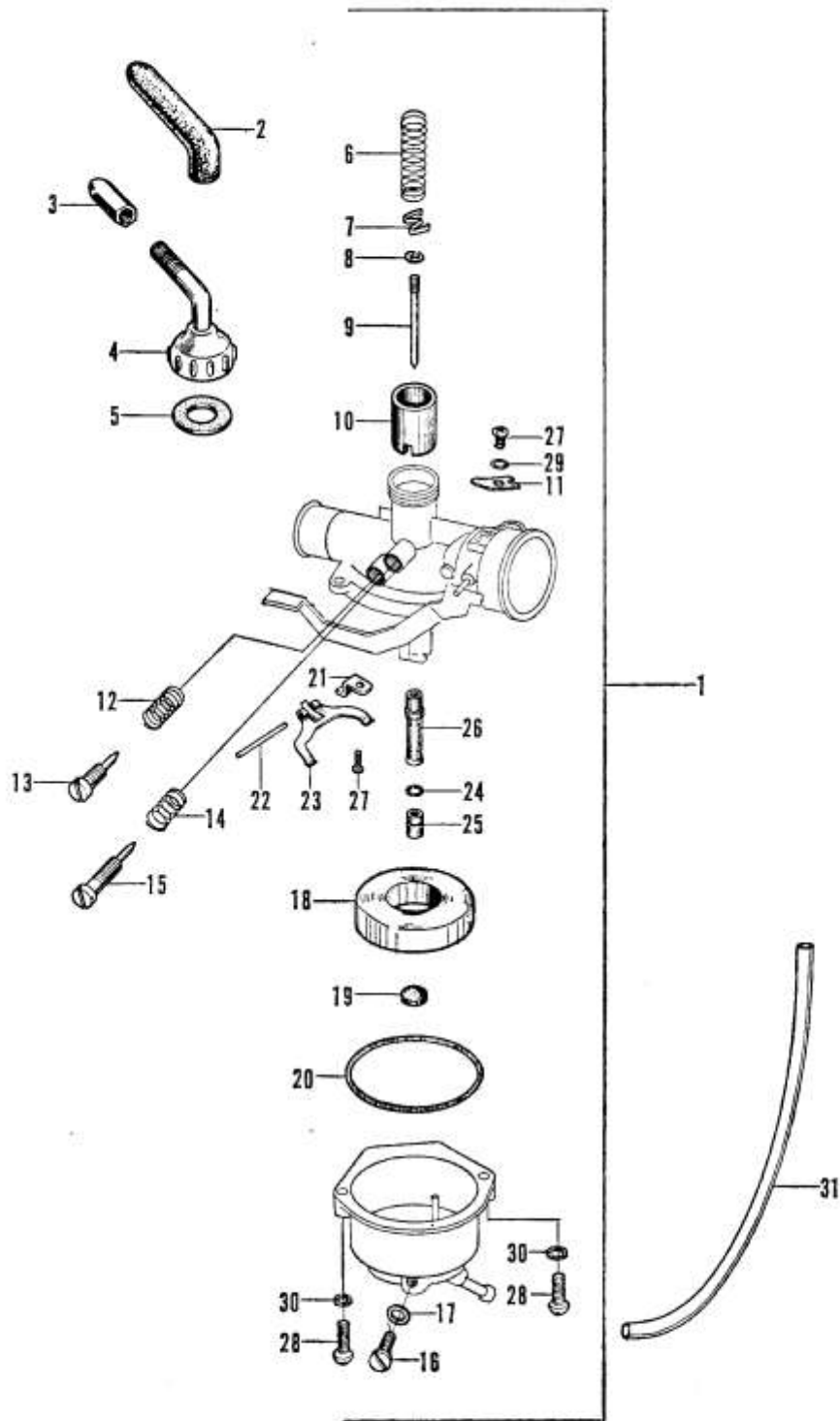
**HONDA**

Ref. No.	Part No.	Description	No. Reqd.	No. Used on		News No.
				From	To	
1	43470-064-010B	RECEIVER, rear brake (Black) .....	1	PS50-1000001		
2	46511-064-000	COLLAR, brake lever .....	1	PS50-1000001		
3	43450-064-020	CABLE, rear brake .....	1	PS50-1000001		
		(Used in General France)				
	43450-064-691	CABLE, rear brake .....	1	PS50-1000001		
		(Used in England)				
4	46500-064-020	LEVER, brake .....	1	PS50-1000001		
5	46509-064-010	KEY, woodruff, 5×5 .....	1	PS50-1000001		
6	90453-235-000	WASHER, thrust, 16 mm .....	2	PS50-1000001		
7	94510-22000	CIR-CLIP, external, 22 mm .....	1			
8	28239-063-010	SPRING, friction .....	1	PS50-1000001		
9	28806-063-010	RATCHET, starter drive .....	1	PS50-1000001		
10	28807-063-000	SPRING, starter gear set .....	1	PS50-1000001		
11	90463-063-020	WASHER, 20 mm .....	1	PS50-1000001		
12	28813-064-000	CHAIN, pedal shaft (34 links DK219H)	1	PS50-1000001		
13	28802-064-000	SPROCKET, starter drive (22T) .....	1	PS50-1000001		
14	28810-064-020	SHAFT, pedal .....	1	PS50-1000001		
15	91204-063-003	OIL-SEAL, 16.26.6 (Arai) .....	1	PS50-1000001		
16	92000-06016	BOLT, hex., 6×16 .....	1			
17	94201-16220	PIN, split, 1.6 .....	1			
18	94510-16000	CIR-CLIP, external, 16 mm .....	1			
● 19	90553-706-000	WASHER, thrust, 25 mm .....	1	PS50-1000001		8013

**HONDA****E-10 Right Crankcase · Left Crankcase**

Ref. No.	Part No.	Description	No. Reqd.	No. Used on		News No.
				From	To	
● 1	11100-063-020	(Superseded by 11100-063-030 ..... with 15420-063-000)	1	PS50-1000001	PS50-1000665	8033
● 1-1	11100-063-030	CRANKCASE, right .....	1	PS50-1000666		8323
● 1-2	11100-064-620	CRANKCASE, right (Used in France)...	1	PS50-1000666		8325
2	11201-063-020	CRANKCASE, left .....	1	PS50-1000001		
3	11191-063-010	PACKING, crankcase .....	1	PS50-1000001		
4	17133-063-010	CLAMPER, breather tube .....	1	PS50-1000001		
5	90013-044-000	BOLT, drain plug, 8 mm .....	1	PS50-1000001		
6	90488-044-000	WASHER, 8 mm .....	1	PS50-1000001		
7	91211-044-000	OIL-SEAL, 15×25×6 .....	1	PS50-1000001		
8	90704-035-000	PIN, knock, 10×14A .....	2	PS50-1000001		
9	94301-08100	PIN, dowel, 8×10A .....	2			
10	94301-08140	PIN, dowel, 8×14A .....	2			
11	93500-06032	SCREN, pan, 6×32 .....	4			
12	93500-06040	SCREN, pan, 6×40 .....	1			
13	93500-06045	SCREN, pan, 6×45 .....	1			
14	93500-06071	SCREN, pan, 6×71 .....	1			
15	92700-06082	BOLT, stud, 6×82 .....	1			
16	92700-06101	BOLT, stud, 6×101 .....	1			
17	92700-06111	BOLT, stud, 6×111 .....	1			
18	92700-06119	BOLT, stud, 6×119 .....	1			
19	95001-80280-10	TUBE, fuel, 8×280 .....	1			
● 20	11335-064-000	PLATE, registered engine number ..... (Used in France)	1	PS50-1000699		8025
● 21	90841-001-000	RIVET, screw, 1.5×5 ..... (Used in France)	2	PS50-1000699		8025





**E-11 Carburetor (Keihin)**

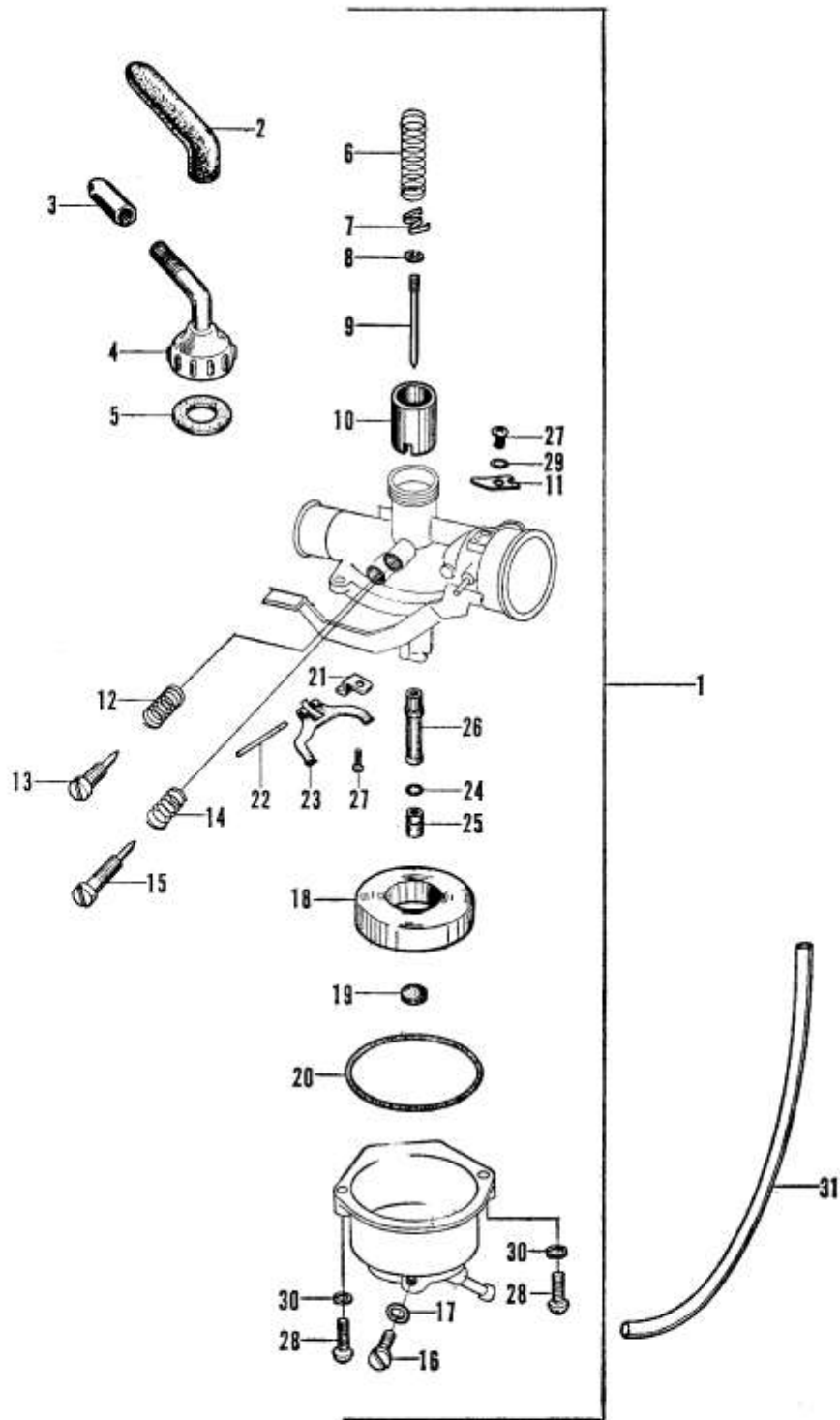
**HONDA**

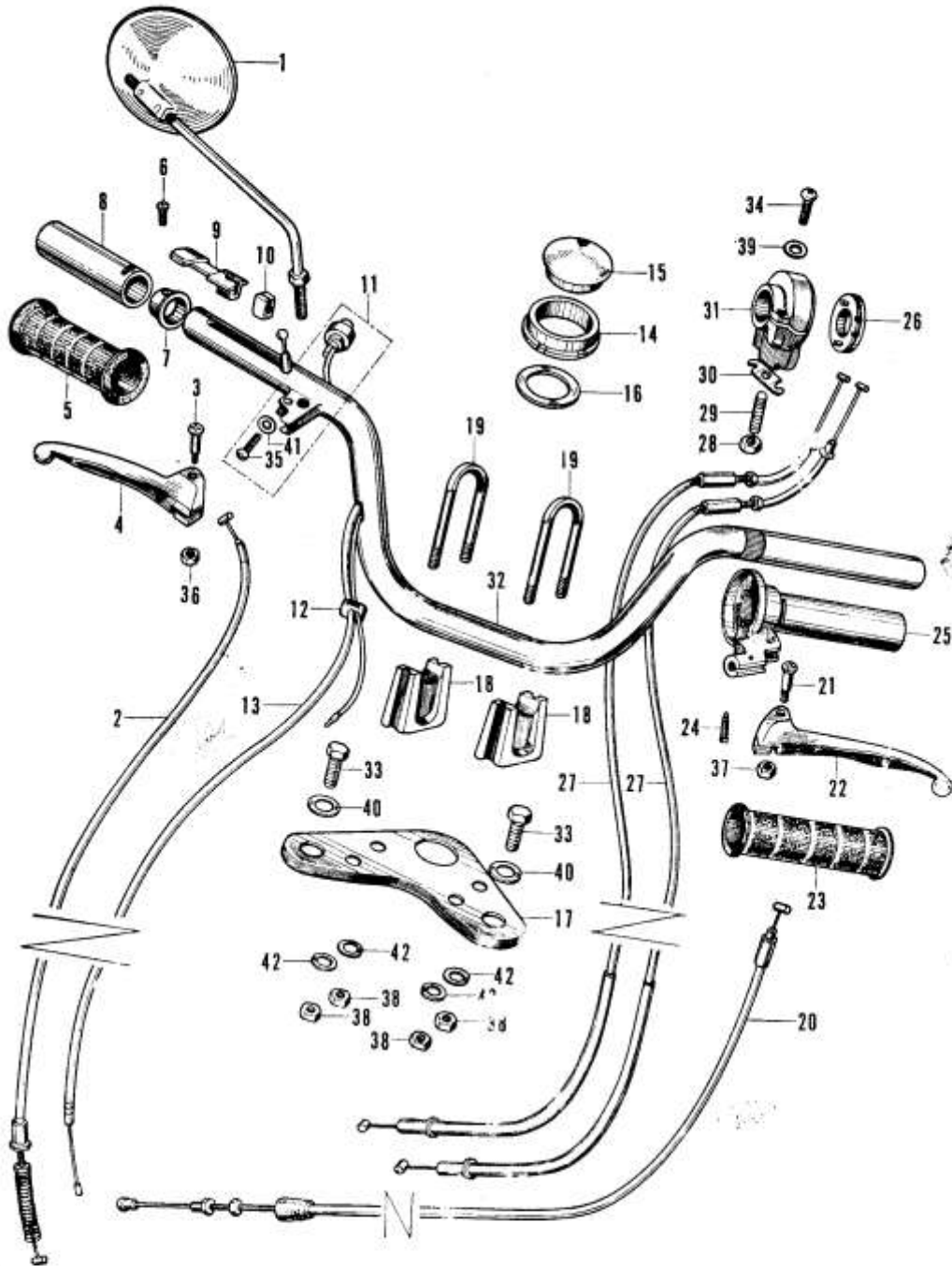
Ref. No.	Part No.	Description	No. Reqd.	No. Used on		News No.
				From	To	
1	16100-063-004	CARBURETOR ASSY. ....	1	PS50-1000001	PS50-1001412	
● 1-1	16100-064-014	CARBURETOR ASSY. ....	1	PS50-1001413		8012
2	16194-063-004	CAP, cable .....	1	PS50-1000001		
3	16118-063-004	ADJUSTER, cable .....	1	PS50-1000001		
4	16119-063-004	TOP .....	1	PS50-1000001		
5	16171-044-004	WASHER, top .....	1	PS50-1000001		
6	16185-044-004	SPRING, throttle .....	1	PS50-1000001		
7	16156-044-004	PLATE, needle clip .....	1	PS50-1000001		
8	16157-044-004	CLIP, needle .....	1	PS50-1000001		
9	16151-063-004	NEEDLE, jet .....	1	PS50-1000001		
10	16141-063-004	VALVE, throttle .....	1	PS50-1000001		
11	16199-063-004	PLATE, clip .....	1	PS50-1000001		
12	16181-001-004	SPRING, air screw .....	1	PS50-1000001		
13	16162-044-004	SCREW, air .....	1	PS50-1000001		
14	16181-250-004	SPRING, throttle stop .....	1	PS50-1000001		
15	16163-063-004	SCREW, throttle stop .....	1	PS50-1000001		
● 16	16164-225-004	SCREW, drain .....	1	PS50-1000001		8014
17	16189-056-004	WASHER, fiber, 6.2 φ .....	1	PS50-1000001		
18	16122-063-004	FLOAT .....	1	PS50-1000001		
19	16197-063-004	PACKING .....	1	PS50-1000001		
20	16173-063-004	O RING, 43 φ .....	1	PS50-1000001		
21	16196-063-004	PLATE, arm pin set .....	1	PS50-1000001		
22	16126-063-004	PIN, arm .....	1	PS50-1000001		
23	16127-063-004	ARM, float .....	1	PS50-1000001		
23	16178-548-004	O RING, 3,2 φ .....	1	PS50-1000001		
25	99114-063-0500	JET, main (# 50) .....	1			
	99114-063-0520	JET, main (# 52) .....	1			
	99114-063-0550	JET, main (# 55) STD .....	1			
	99114-063-0580	JET, main (# 58) .....	1			
	99114-063-0600	JET, main (# 60) .....	1			



**HONDA****E-11 Carburetor (Keihin)**

Ref. No.	Part No.	Description	No. Reqd.	No. Used on		News No.
				From	To	
26	16133-063-004	JET, needle .....	1	PS50-1000001		
27	93500-03005-0A	SCREW, pan, 3×5.....	1	PS50-1000001		
28	93500-04012-0A	SCREW, pan, 4×12 .....	2	PS50-1000001		
29	94111-03000	WASHER, spring, 3 mm .....	1			
30	94111-04000	WASHER, spring, 4 mm .....	2			
31	95001-35140-10	TUBE, fuel, 3.5×140.....	1			





## F-1 Steering Handle

**HONDA**

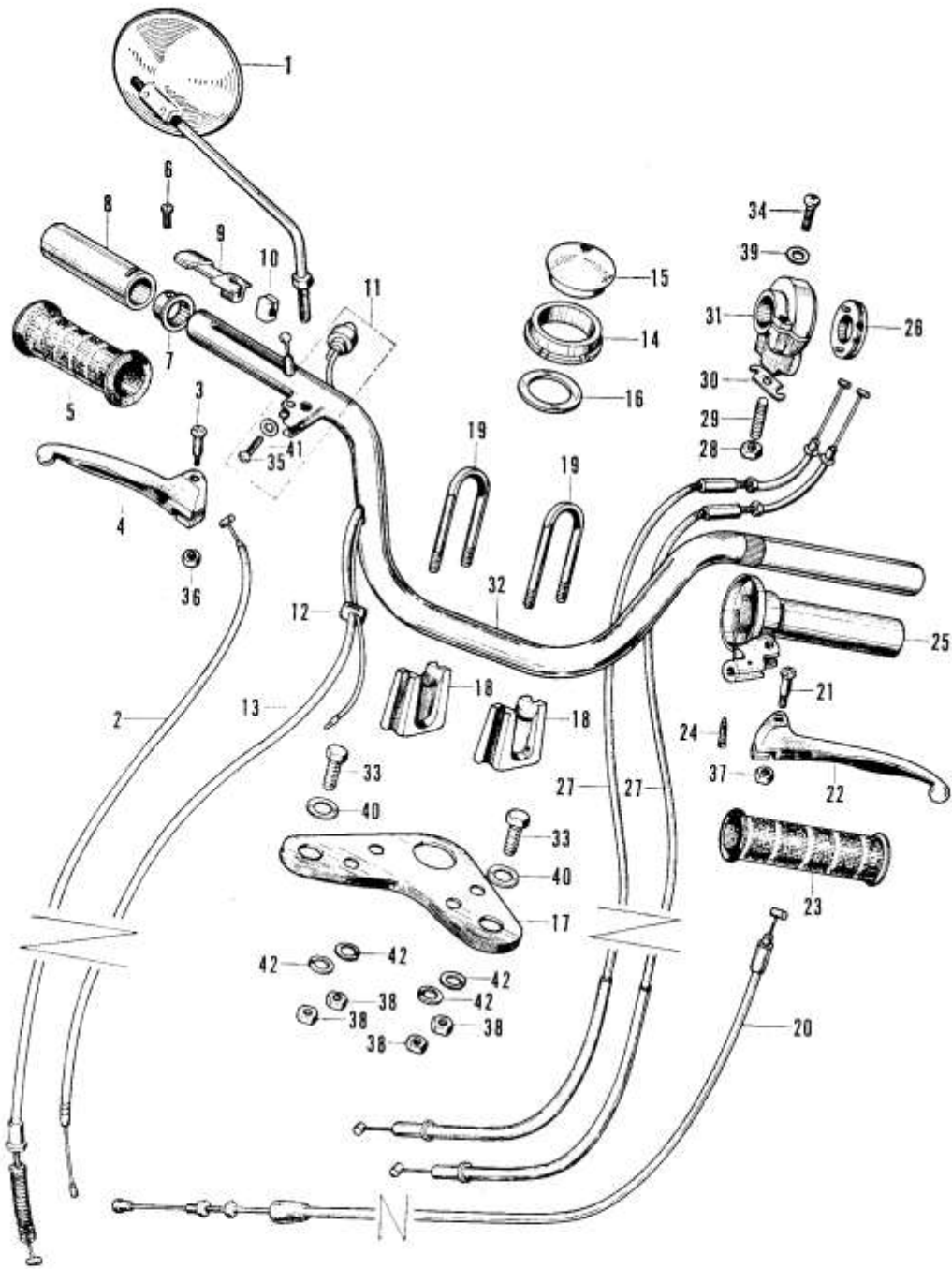
Ref. No.	Part No.	Description	No. Reqd.	No. Used on		News No.
				From	To	
1	88100-063-000	MIRROR ASSY., back ..... (Used in General)	1	PS50-1000001		
	88100-064-000	MIRROR ASSY., back ..... (Used in England)	1	PS50-1000001		
2	45450-063-010	CABLE, front brake .....	1	PS50-1000001		
3	90114-063-000	SCREW, handle lever pivot .....	1	PS50-1000001		
4	53175-063-000XL	LEVER, right handle (Ivory white) .....	1	PS50-1000001		
5	53165-063-000XL	RUBBER, right grip (Ivory white) .....	1	PS50-1000001		
6	90101-063-000	SCREW, throttle grip set.....	1	PS50-1000001		
7	53163-044-010	STOPPER, throttle grip .....	1	PS50-1000001		
8	53141-044-010	PIPE, throttle grip .....	1	PS50-1000001		
9	53161-044-000	HINGE, throttle cable .....	1	PS50-1000001		
10	53162-063-000	HOLDER, outer, throttle cable .....	1	PS50-1000001		
11	35300-063-010	BUTTON, horn .....	1	PS50-1000001		
12	17911-044-000	GROMMET, throttle .....	1	PS50-1000001		
13	17910-063-020	CABLE, throttle .....	1	PS50-1000001		
14	90301-044-000	NUT, steering head stem.....	1	PS50-1000001		
15	90302 0-4-000XL	CAP, steering stem nut (Ivory white)....	1	PS50-1000001		
16	90201-064-000	WASHER, plain, 26 mm .....	1	PS50-1000001		
●17	53230-064-010T	BRIDGE, fork top (Metallic silver) .....	1	PS50-1000001		8031
18	53112-064-010	BASE, handle pipe holder .....	2	PS50-1000001	PS50-1006762	
●18-1	53112-064-010T	BASE, handle pipe holder .....	2	PS50-1006763		8032
19	53111-064-010T	HOLDER, handle pipe .....	2	PS50-1000001		
20	22870-064-020	CABLE, clutch.....	1	PS50-1000001		
21	90114-064-000	BOLT, handle lever pivot .....	1	PS50-1000001		
22	53178-063-000XL	LEVER, left handle (Ivory white).....	1	PS50-1000001		
23	53164-064-000XL	RUBBER, left grip (Ivory white) .....	1	PS50-1000001		
24	90137-064-000	SCREW, tapping, 4×15 .....	1	PS50-1000001		
25	53150-064-000	PIPE, left, gear change grip .....	1	PS50-1000001		
26	53182-064-000	PULLEY, gear change .....	1	PS50-1000001		
27	24730-064-020	CABLE, gear change.....	2	PS50-1000001		

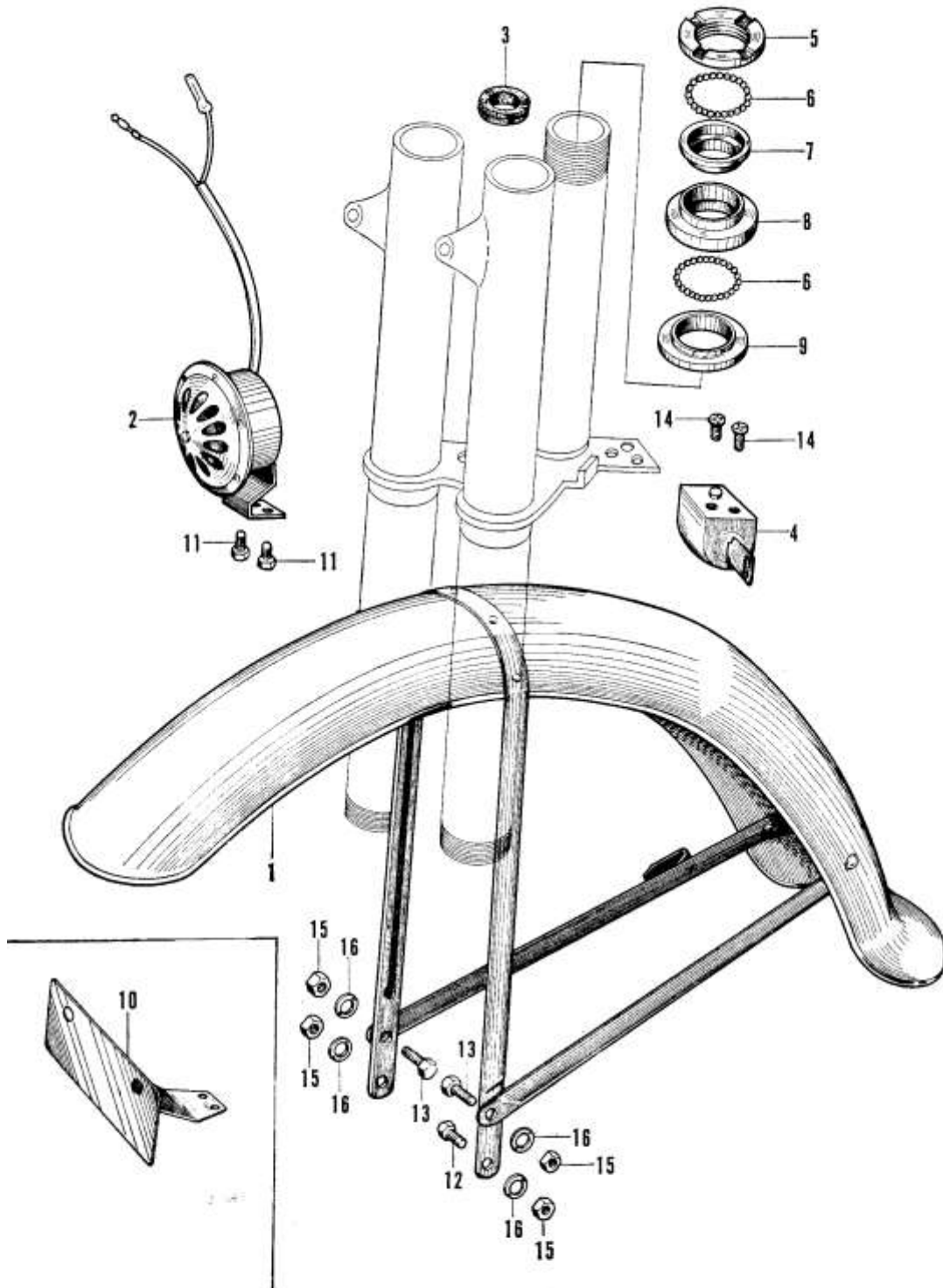
**HONDA****F-1 Steering Handle**

Ref. No.	Part No.	Description	No. Reqd.	No. Used on		News No.
				From	To	
28	90311-064-000	NUT, pulley stop .....	1	PS50-1000001		
29	53190-064-000	SCREW, pulley stop .....	1	PS50-1000001		
30	53195-064-000	PLATE, change wire clamp .....	1	PS50-1000001		
31	53167-064-000	HOLDER, cable, gear change.....	1	PS50-1000001		
32	53100-064-020	PIPE, steering handle .....	1	PS50-1000001		
33	92226-10036-2C	BOLT, hex., 10×36 .....	2			
34	93500-06020	SCREW, pan, 6×20 .....	1			
35	93600-03008-0A	SCREW, flat, 3×8 .....	1			
36	94001-05000-0S	NUT, hex., 5 mm .....	2			
37	94001-06000	NUT, hex., 6 mm .....	1			
38	94001-08000-0S	NUT, hex., 8 mm .....	4			
39	94101-06000	WASHER, plain, 6 mm.....	1			
40	94101-10200	WASHER, plain, 10 mm .....	2			
41	94111-03000	WASHER, spring, 3 mm .....	1			
42	94111-08000	WASHER, spring, 8 mm .....	4			

F-1 Steering Handle

HONDA





**F-2 Front Fender**

**HONDA**

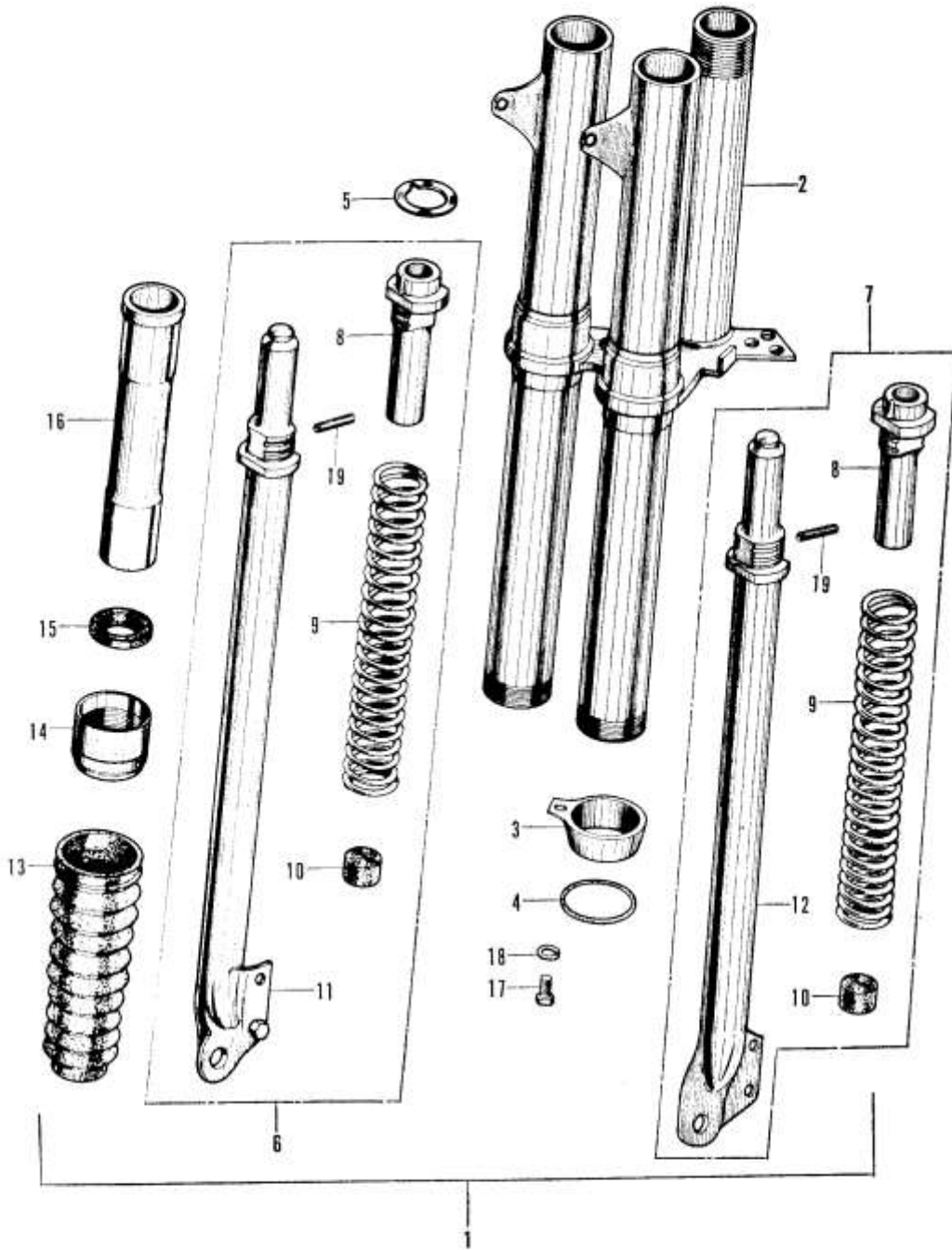
Ref. No.	Part No.	Description	No. Reqd.	No. Used on		News No.
				From	To	
1	61100-064-010XL	FENDER, front (Ivory white) .....	1	PS50-1000001		
2	38100-064-014	HORN ASSY. ....	1	PS50-1000001		
3	51518-064-000	GROMMET, speedometer cable.....	1	PS50-1000001		
4	53500-044-000	LOCK, steering handle.....	1	PS50-1000001		
5	53211-044-010	RACE, top, steering cone .....	1	PS50-1000001		
6	96211-06000	BALL, steel, # 6 .....	52	PS50-1000001		
7	50301-044-020	RACE, top, steering ball .....	1	PS50-1000001		
8	50302-044-000	RACE, bottom, steering ball .....	1	PS50-1000001		
9	53212-044-000	RACE, bottom, steering cone.....	1	PS50-1000001		
10	61131-064-600B	PLATE, front number (Black) .....	1	PS50-1000001		
		(Used in England)				
11	92000-06008	BOLT, hex., 6x8 .....	2			
●12	92000-06014	BOLT, hex., 6x14 .....	1			
13	92000-06016	BOLT, hex., 6x16 .....	2			
14	98600-06012	SCREW, flat, 6x12 .....	2			
15	94001-06000	NUT, hex., 6 mm .....	4			
16	94101-06000	WASHER, plain, 6 mm.....	4			

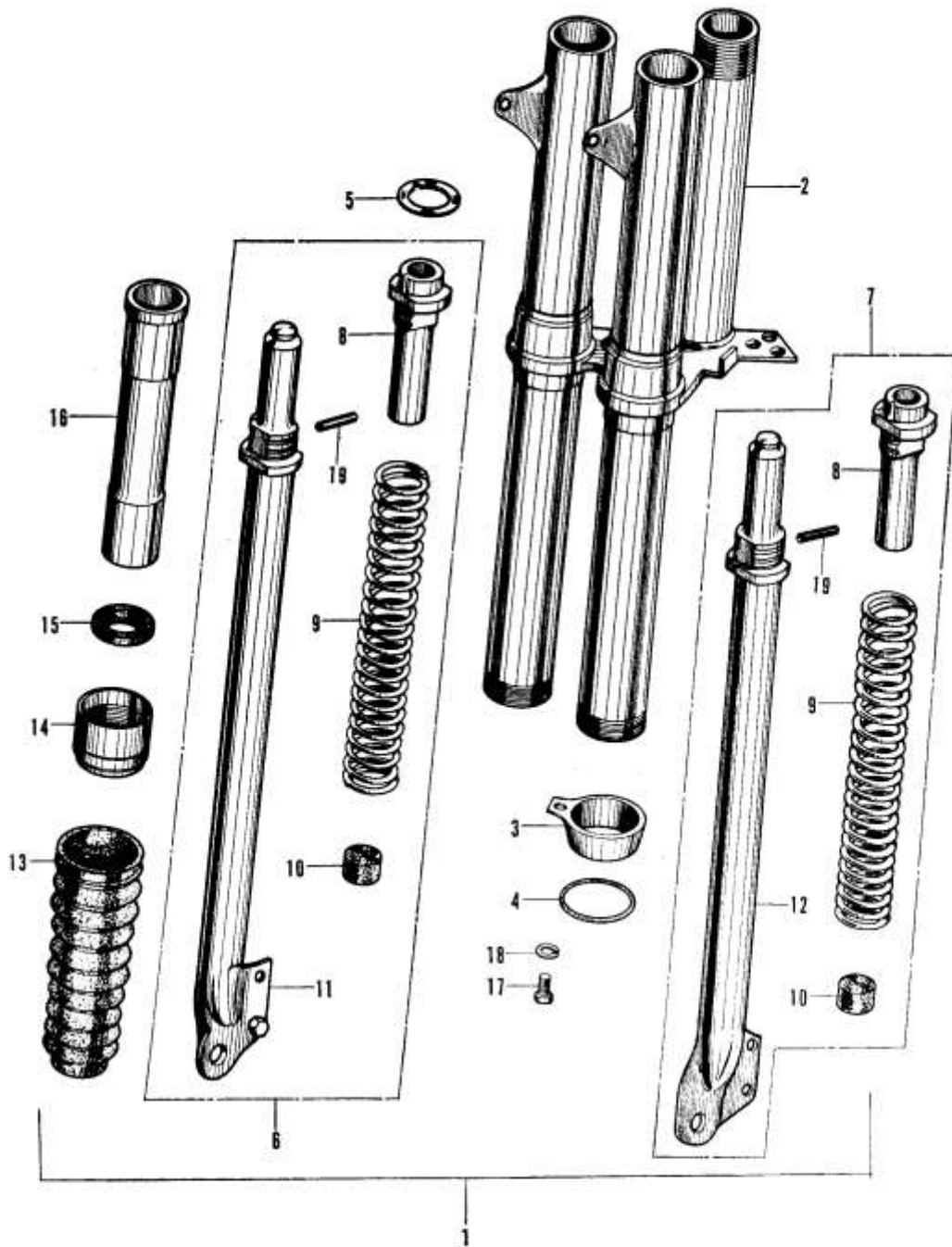


# HONDA

## F-3 Front Fork

Ref. No.	Part No.	Description	No. Reqd.	No. Used on		News No.
				From	To	
1	51500-064-020D	FORK ASSY., front (Columbia blue)... (Used in General)	1	PS50-1000001		
	51500-064-020AW	FORK ASSY., front (Bright red) ..... (Used in General)	1	PS50-1000001		
●	51500-064-020F	FORK ASSY., front (Elephant gray)... (Used in General)	1	PS50-1002475		8036
	51500-064-692D	FORK ASSY., front (Columbia blue)... (Used in England, France)	1	PS50-1000001		
	51500-064-692A	WFORK ASSY., front (Bright red) .... (Used in England, France)	1	PS50-1000001		
●	51500-064-692F	FORK ASSY., front (Elephant gray)... (Used in England, France)	1	PS50-1002475		8036
2	51510-064-010D	FORK, front (Columbia blue) .....	1	PS50-1000001		
	51510-064-010AW	FORK, front (Bright red) .....	1	PS50-1000001		
	51510-064-010F	FORK, front (Elephant gray) .....	1	PS50-1002475		8036
	51510-064-010Z	FORK, front (Non sanding) .....	1	PS50-1000001		
3	51608-064-010	COVER, front fork lower .....	2	PS50-1000001		
4	51609-064-000	CUSHION, lower cover .....	2	PS50-1000001		
5	51620-064-000	WASHER, seat .....	5	PS50-1000001		
6	51520-064-020	PIPE, slide, right front fork .....	1	PS50-1000001		
		(Used in General)				
	51520-064-691	PIPE, slide, right front fork .....	1	PS50-1000001		
		(Used in England, France)				
7	51530-064-020	PIPE, slide, left front fork.....	1	PS50-1000001		
		(Used in General)				
	51530-064-691	PIPE, slide, left front fork.....	1	PS50-1000001		
		(Used in England, France)				
8	51504-064-020	HOLDER, upper, cushion spring .....	2	PS50-1000001		
9	51501-064-010	SPRING, front cushion .....	2	PS50-1000001		
		(Used in General)				
	51501-064-691	SPRING, front cushion .....	2	PS50-1000001		
		(Used in England, France)				
10	51506-064-020	RUBBER, front cushion stopper.....	2	PS50-1000001		



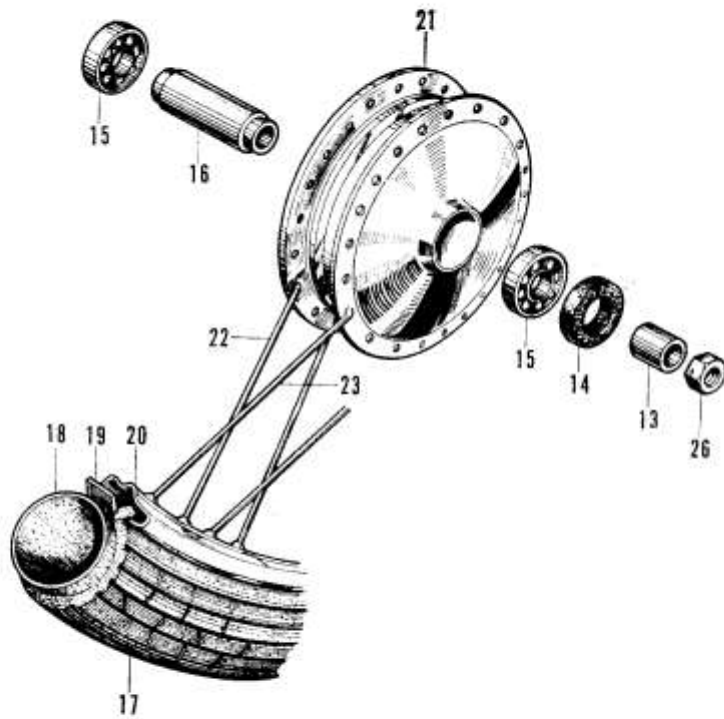
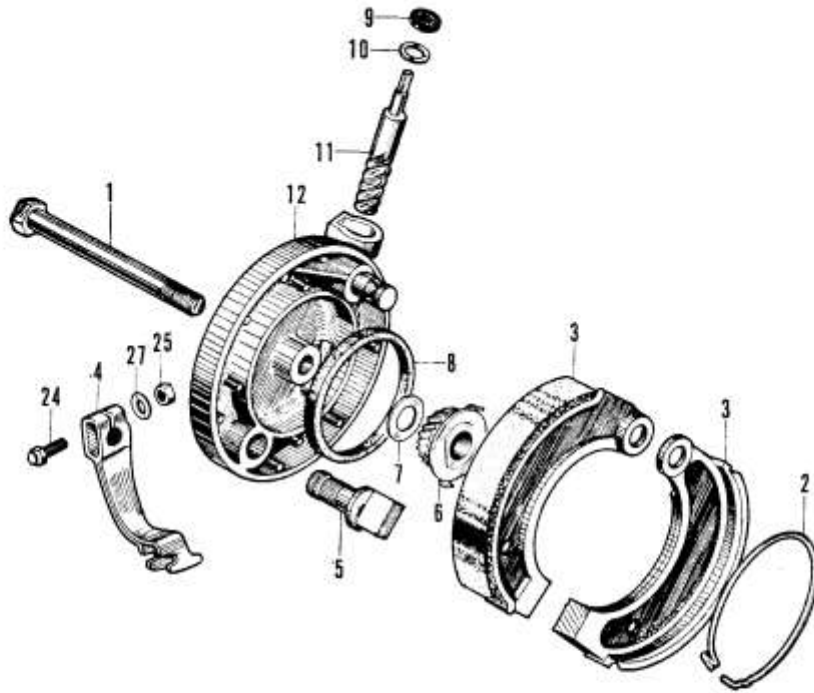


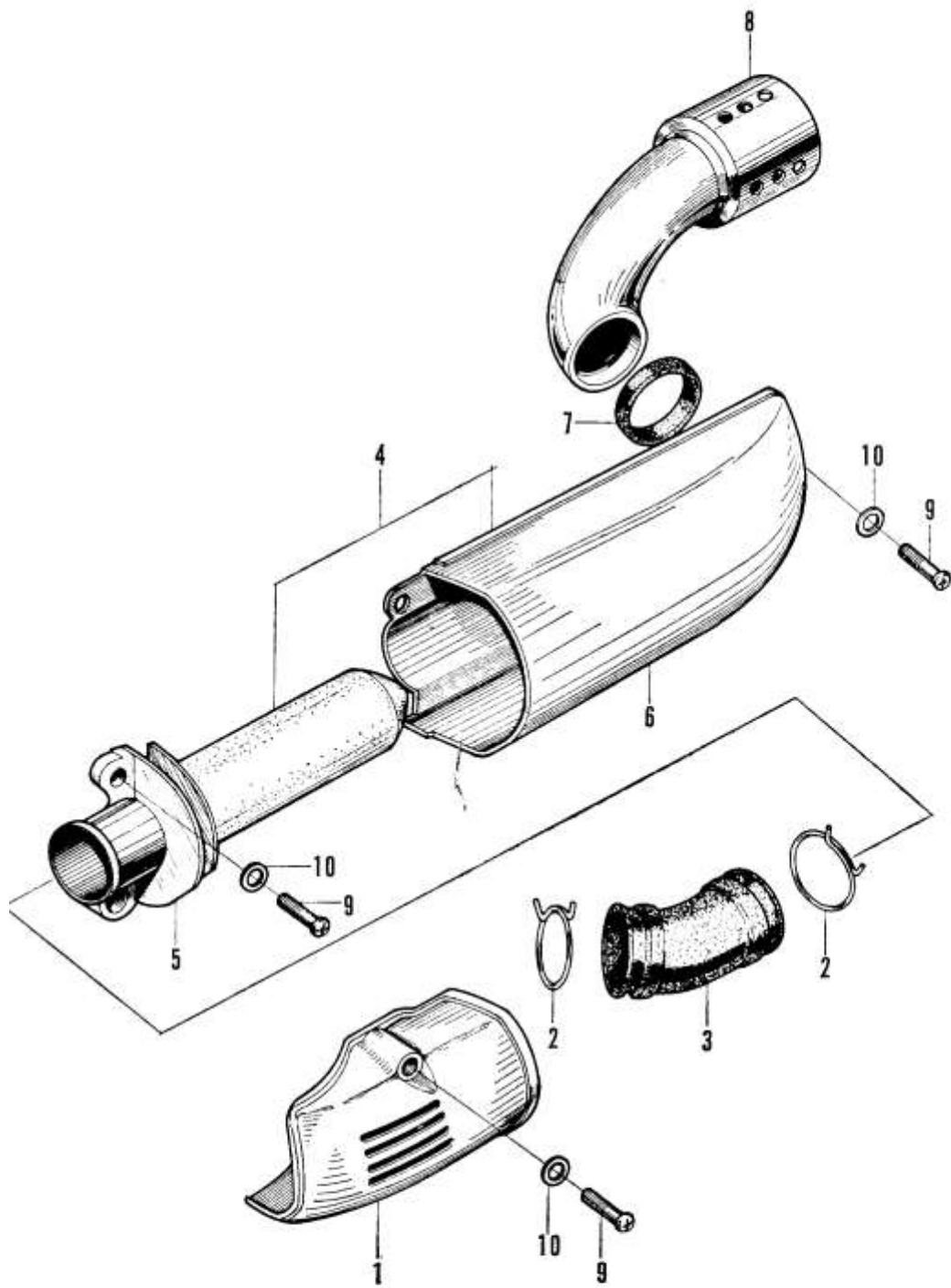
**F-3 Front fork****HONDA**

Ref. No.	Part No.	Description	No. Reqd.	No. Used on		News No.
				From	To	
11	51450-064-305	PIPE, slide, right front fork half .....	1	PS50-1000001		
12	51460-064-305	PIPE, slide, left front fork half .....	1	PS50-1000001		
13	51505-064-010B	BOOT, front fork (Black) .....	1	PS50-1000001		
14	51503-064-010	CAP, fork pipe guide .....	2	PS50-1000001		
15	90755-064-013	OIL-SEAL, (Arai) .....	2	PS50-1000001		
16	51502-064-010	GUIDE, fork pipe .....	2	PS50-1000001		
17	92000-050080-0A	NUT, hex., 5×8 .....	2			
18	94111-05000	WASHER, spring, 5 mm .....	2			
●19	51526-064-000	PIN, spring .....	2	PS50-1000001	8030	

**HONDA****F-4 Front wheel**

Ref. No.	Part No.	Description	No. Reqd.	No. Used on		News No.
				From	To	
1	44301-064-000	AXLE, front wheel.....	1	PS50-1000001		
2	45133-044-000	SPRING, brake shoe.....	1	PS50-1000001		
3	45120-063-003	SHOE, brake (Fuji).....	2	PS50-1000001		
4	45410-063-000	ARM, front brake.....	1	PS50-1000001		
5	45131-063-000	CAM, front brake.....	1	PS50-1000001		
6	44805-044-690	GEAR, speedometer.....	1	PS50-1000001		
7	44809-044-000	WASHER, gear, gear box.....	1	PS50-1000001		
8	90751-044-000	OIL-SEAL, 39457.....	1	PS50-1000001		
9	90753-044-000	OIL-SEAL, 451135.....	1	PS50-1000001		
10	90539-044-000	WASHER, speedometer pinion.....	1	PS50-1000001		
11	44805-044-690	PINION, speedometer.....	1	PS50-1000001		
12	45100-063-010	PANEL, front brake.....	1	PS50-1000001		
13	44311-044-020	COLLAR, side, front wheel.....	1	PS50-1000001		
14	90752-044-000	OIL-SEAL, 17326.....	1	PS50-1000001		
15	95100-62010	BEARING, ball, 6201.....	2			
16	44620-044-000	COLLAR, front axle distance.....	1	PS50-1000001		
17	44711-063-003	TIRE, front wheel (Bridgeston).....	1	PS50-1000001		
	44711-063-006	TIRE, front wheel (Nitto).....	1	PS50-1000001		
18	44712-063-000	TUBE, wheel.....	1	PS50-1000001		
19	44713-063-000	FRAP, tire.....	1	PS50-1000001		
20	44701-044-690	RIM, front wheel.....	1	PS50-1000001		
21	44601-063-000	HUB, front wheel.....	1	PS50-1000001		
22	97142-112451	SPORK A, # 13x202-5.....	16			
23	97241-112441	SPORK A, # 13x202.....	16			
24	92000-05022-0A	BOLT, hex., 5x22.....	1			
25	94001-05000-0S	NUT, hex., 6 mm.....	1			
26	94001-10000-0S	NUT, hex., 10 mm.....	1			
27	94101-05000	WASHER, Plain, 5 mm.....	1			





**F-5 Air Cleaner**

**HONDA**

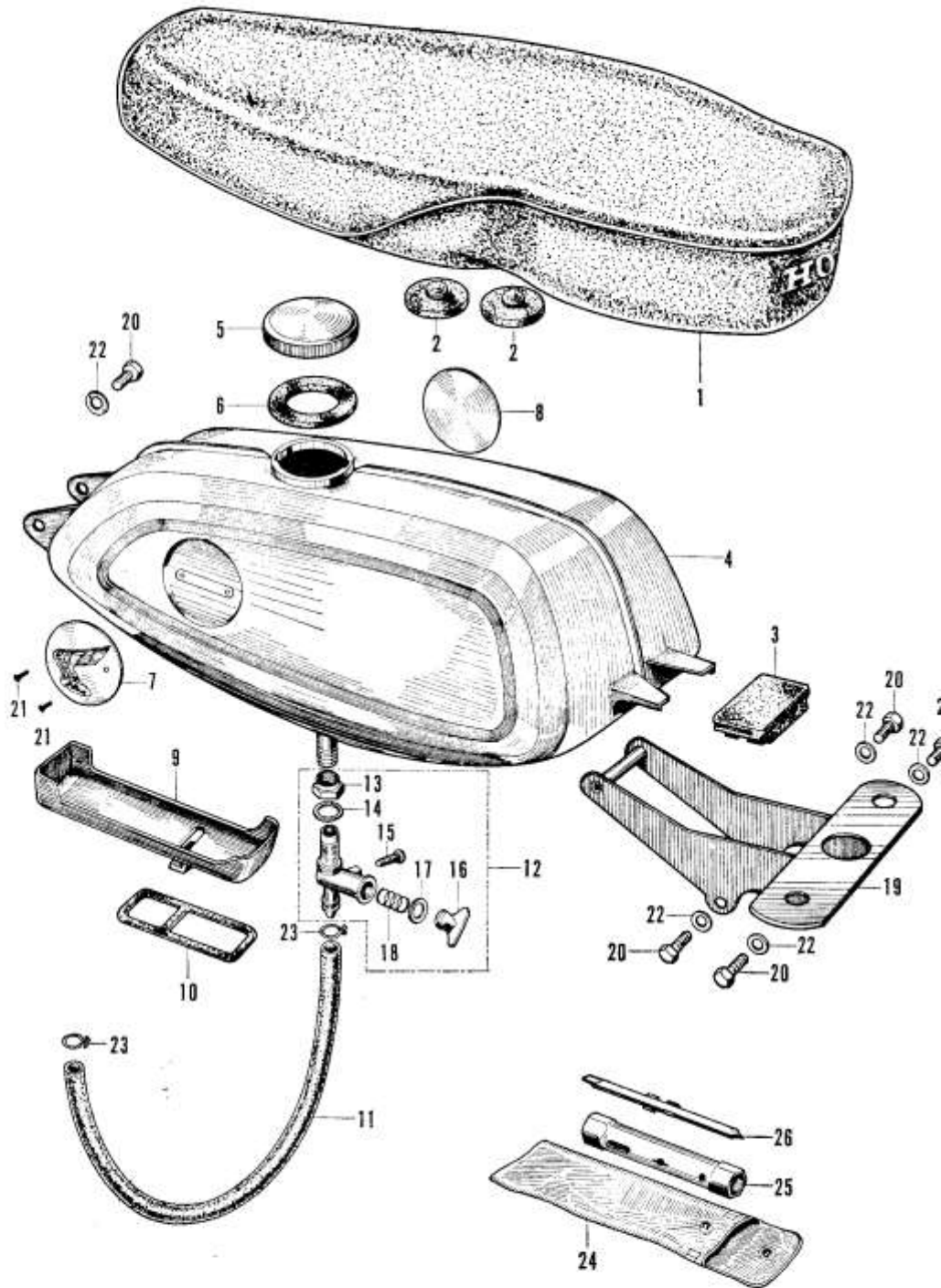
Ref. No.	Part No.	Description	No. Reqd.	No. Used on		News No.
				From	To	
1	17260-063-020D	COVER, carburetor (Columbia blue) ...	1	PS50-1000001		
	17260-063-020AW	COVER, carburetor (Bright red) .....	1	PS50-1000001		
●	17260-063-020F	COVER, carburetor (Elephant gray) ...	1	PS50-1002475		8036
2	17255-063-000	CLIP, connecting tube, air cleaner .....	2	PS50-1000001		
3	17253-063-010	TUBE, connecting, aircleaner .....	1	PS50-1000001		
4	17200-063-030D	CLEANER ASSY., air (Columbia blue)	1	PS50-1000001		
	17200-063-030AW	CLEANER ASSY., air (Bright red) ...	1	PS50-1000001		
●	17200-063-030F	CLEANER ASSY., air (Elephant gray)	1	PS50-1002475		8036
● 5	17205-063-020	ELEMENT, air cleaner .....	1	PS50-1000001		8006
6	17225-063-020D	CASE, air cleaner (Columbia blue).....	1	PS50-1000001		
	17225-063-020AW	CASE, air cleaner (Bright red).....	1	PS50-1000001		
●	17225-063-020F	CASE, air cleaner (Eephant gray) .....	1	PS50-1002475		8036
7	17227-063-010	PACKING, inlet tube .....	1	PS50-1000001		
8	17251-063-010	TUBE, air cleaner inlet .....	1	PS50-1000001		
9	93500-06020	SCREW, pan, 6×20.....	3			
10	94101-06000	WASHER, plain, 6 mm .....	3			

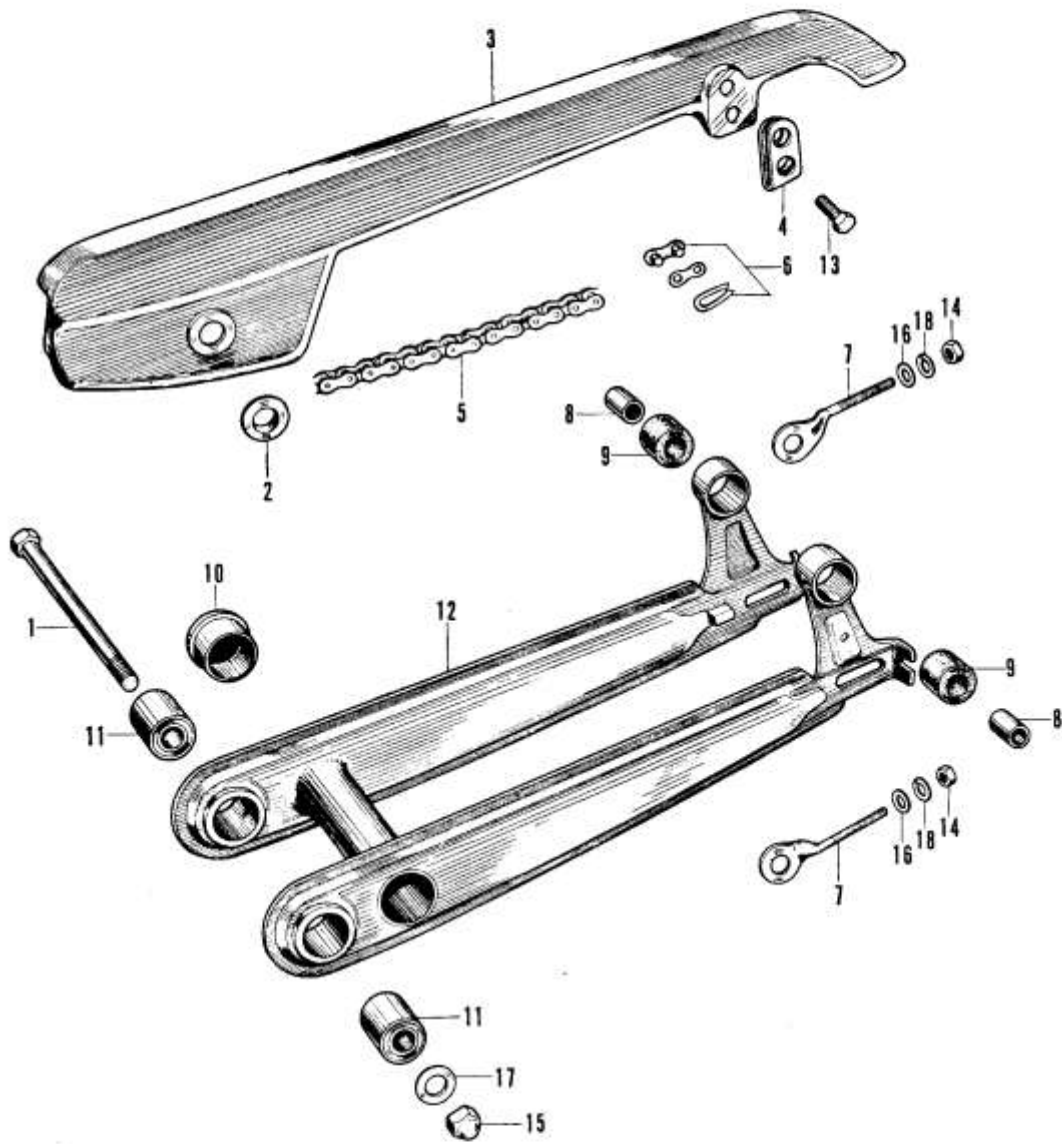


# HONDA

## F-6 Sear · Fuel Tank

Ref. No.	Part No.	Description	No. Reqd.	No. Used on		News No.
				From	To	
1	77200-064-020A	SEAT, double (Black) .....	1	PS50-1000001		
2	77201-064-010	RUBBER, seat setting .....	2	PS50-1000001		
3	17613-064-020	CUSHION, fuel tank rear .....	1	PS50-1000001		
4	17500-064-020T	TANK, fuel (Metalic silver) .....	1	PS50-1000001		
5	17620-044-000	CAP, fuel filler .....	1	PS50-1000001		
6	17631-001-000	PACKING, fuel filler cap .....	1	PS50-1000001		
7	87122-064-000	EMBLEM, left fuel tank .....	1	PS50-1000001		
8	87121-064-000	EMBLEM, right fuel tank .....	1	PS50-1000001		
9	83500-064-010B	BOY, tool (Black) .....	1	PS50-1000001		
10	83512-034-000	BAND, tool box .....	1	PS50-1000001		
11	37001-45240-00	TUBE, fuel, 4.5×240 .....	1	PS50-1000001	PS50-1001412	
● 11-1	97001-45215-00	TUBE, fuel, 4.5×215 .....	1	PS50-1001413		8011
12	16950-044-004	COCK ASSY., fuel (Teikei) .....	1	PS50-1000001		
13	16932-044-004	NUT, turn buckle (Teikei) .....	1	PS50-1000001		
14	16958-044-004	PACKING, turn buckle nut (Teikei) ...	1	PS50-1000001		
15	16933-044-004	SCREW, lever stopper (Teikei) .....	1	PS50-1000001		
16	16953-044-004	LEVER, cock (Teikei) .....	1	PS50-1000001		
17	16997-044-004	O RING (Teikei) .....	1	PS50-1000001		
18	16960-044-004	SPRING, valve (Teikei) .....	1	PS50-1000001		
19	77500-063-020D	DPLATE, seat setting (Columbia blue)	1	PS50-1000001		
	77500-063-020AW	PLATE, seat setting (Bright red) .....	1	PS50-1000001		
●	77500-063-020F	PLATE, seat setting (Elephant gray) ...	1	PS50-1002475		8036
	77500-063-020Z	PLATE, seat setting (Non sanding) ...	1	PS50-1000001		
20	92000-06012	BOLT, hex., 6×12 .....	6			
● 21	93700-03008-0A	SCREW, oval., 3×8 .....	4			
22	94101-06000	WASHER, plain, 6 mm .....	6			
23	95002-45000	CLIP, fuel tube .....	2			
24	89101-063-000	BAG, tool .....	1	PS50-1000001		
25	83517-063-000	WRENCH, spark plug .....	1	PS50-1000001		
26	83513-044-000	DRIVER .....	1	PS50-1000001		





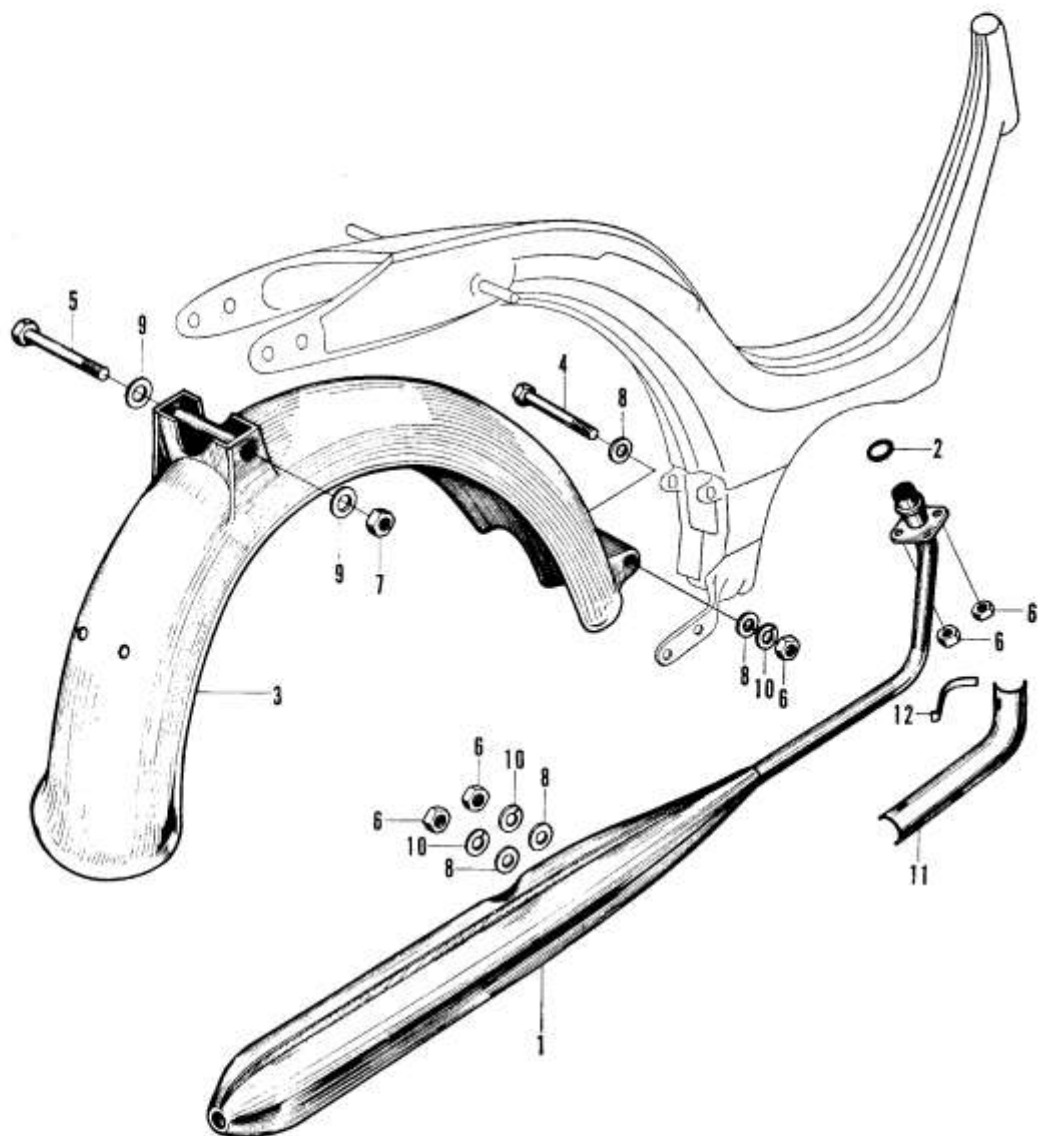
**F-7 Chain Case - Rear Fork**

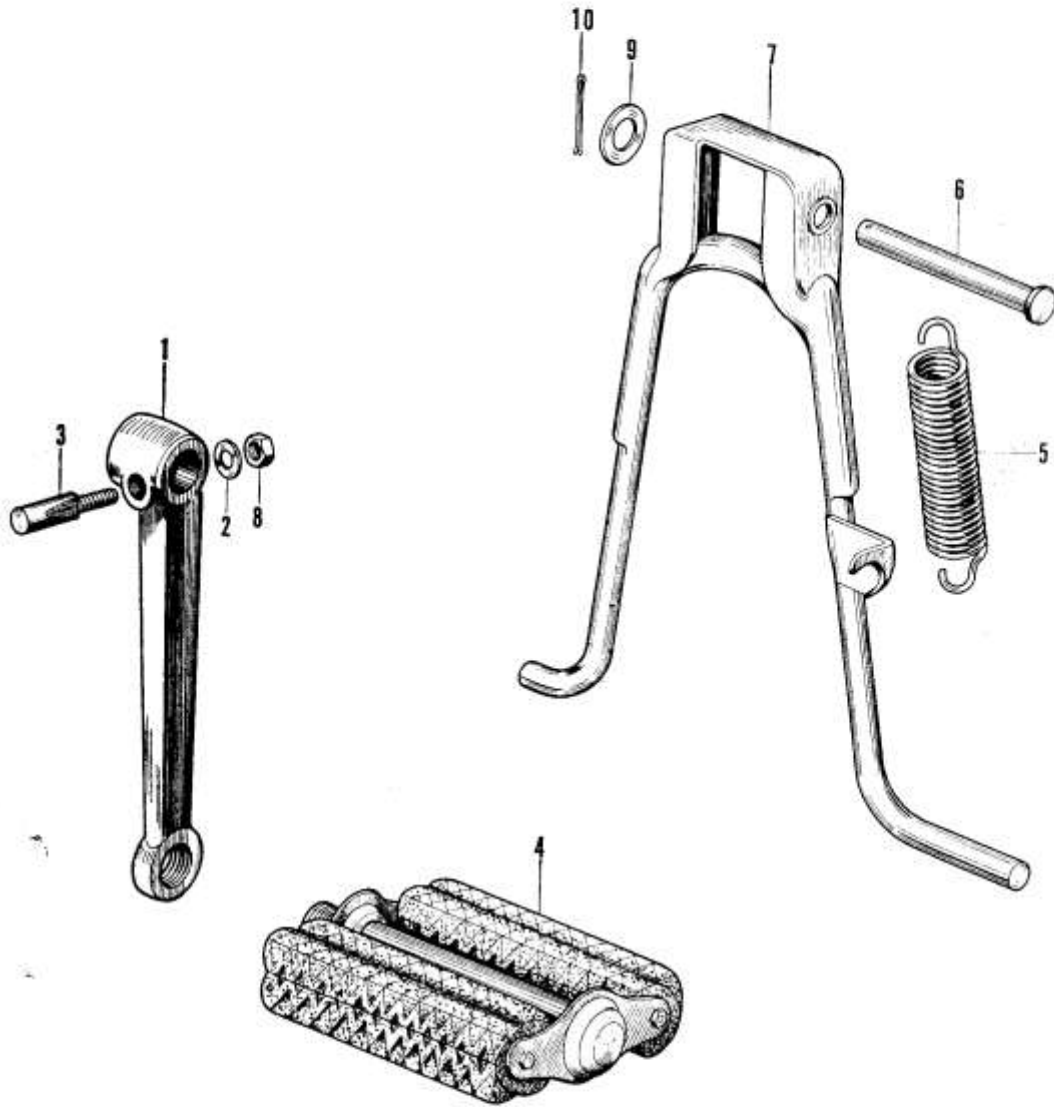
**HONDA**

Ref. No.	Part No.	Description	No. Reqd.	No. Used on		News No.
				From	To	
1	90121-063-000	BOLT, pivot, rear fork .....	1	PS50-1000001		
2	90543-063-010	WASHER, chain case setting .....	1	PS50-1000001		
3	40510-063-000XL	CASE, drive chain (Ivory white).....	1	PS50-1000001		
4	40512-064-000	NUT, chain case setting .....	1	PS50-1000001		
5	40530-064-003	CHAIN, drive (102 links) (Daido) .....	1	PS50-1000001		
●	40530-064-005	CHAIN, drive (102 links) (Takasago)...	1	PS50-1000001		8018
● 6	40531-063-003	JOINT, drive chain (Daido) .....	1	PS50-1000001		8017
●	40531-063-005	JOINT, drive chain (Takasago) .....	1	PS50-1000001		8018
7	40543-063-000	ADJUSTER, drive chain .....	2	PS50-1000001		
8	57486-063-000	COLLAR, rubber bush, rear cushion...	2	PS50-1000001		
9	52476-063-000	BUSH, rubber, rear cushion.....	2	PS50-1000001		
10	52161-001-010XL	CAP, cross member side (Ivory white)	1	PS50-1000001		
11	52108-023-000	BUSH, rubber rear fork pivot .....	2	PS50-1000001		
12	52100-063-000D	FORK, rear (Columbia blue) .....	1	PS50-1000001		
	52100-063-000AW	FORK, rear (Bright red) .....	1	PS50-1000001		
●	52100-063-000F	FORK, rear (Elephant gray).....	1	PS50-1002475		8036
	52100-063-000Z	FORK, rear (Non sanding) .....	1	PS50-1000001		
13	92000-06016	BOLT, hex., 6×16 .....	1			
14	94001-06000	NUT, hex., 6 mm .....	2			
15	94021-10000-0S	NUT, blind, 10 mm .....	1			
16	94101-06000	WASHER, plain, 6 mm .....	2			
17	94105-10000	WASHER, plain, 10 mm.....	1			
18	94111-06000	WASHER, spring, 6 mm .....	2			

**HONDA****F-8 Rear Fender · Muffler**

Ref. No.	Part No.	Description	No. Reqd.	No. Used on		News No.
				From	To	
1	18300-063-000	MUFFLER, exhaust ..... (Used in General England)	1	PS50-1000001		
	18300-064-620	MUFFLER, exhaust (Used in France)...	1	PS50-1000001		
2	18291-044-020	GASKET, exhaust pipe.....	1	PS50-1000001		
3	80100-063-000XL	FENDER, rear (Ivory white) ..... (Used in General England)	1	PS50-1000001		
	80100-063-620XL	FENDER, rear (Ivory white) ..... (Used in France)	1	PS50-1000001		
4	92000-06063	BOLT, hex., 6×63 .....	1			
5	92000-08095-0A	BOLT, hex., 8×95 .....	1			
6	94001-06000	NUT, hex., 6 mm .....	5			
7	94001-08000-0S	NUT, hex., 8 mm .....	1			
8	94101-06000	WASHER, plain, 6 mm.....	4			
9	94101-08000	WASHER, plain, 8 mm.....	2			
10	94111-06000	WASHER, spring, 6 mm .....	3			
●11	18400-063-000	COVER, exhaust pipe .....	1	PS50-1000001		8021
●12	18401-063-000	CLIP, exhaust cover .....	2	PS50-1000001		8021





**F-9 Pedal · Stand**

**HONDA**

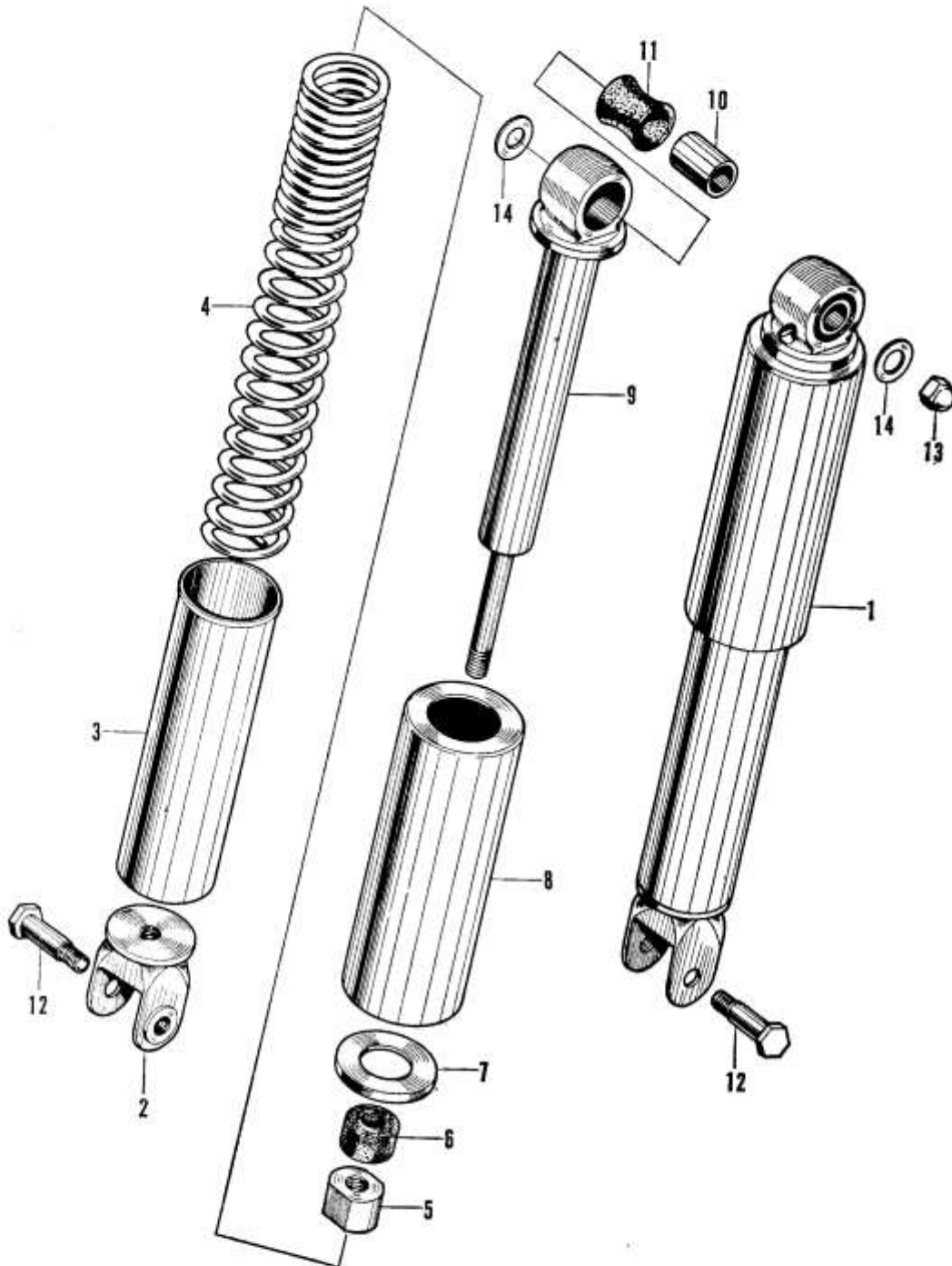
Ref. No.	Part No.	Description	No. Reqd.	No. Used on		News No.
				From	To	
1	40220-063-010	ARM, crank .....	2	PS50-1000001		
2	90545-044-000	WASHER, crank arm .....	2	PS50-1000001		
3	40235-044-000	PIN, crank arm set .....	2	PS50-1000001		
4	40225-063-005	PEDAL, crank (Sargashina) .....	2	PS50-1000001		
5	50522-044-010	SPRING, main stand .....	1	PS50-1000001		
6	90111-053-000	SHAFT, main stand .....	1	PS50-1000001		
7	50500-063-010B	STAND, main (Black) .....	1	PS50-1000001		
8	94001-06000	NUT, hex., 6 mm .....	2			
9	94101-10000	WASHER, plain, 10 mm .....	1			
10	94201-20180	PIN, cotter, 2 mm .....	1			

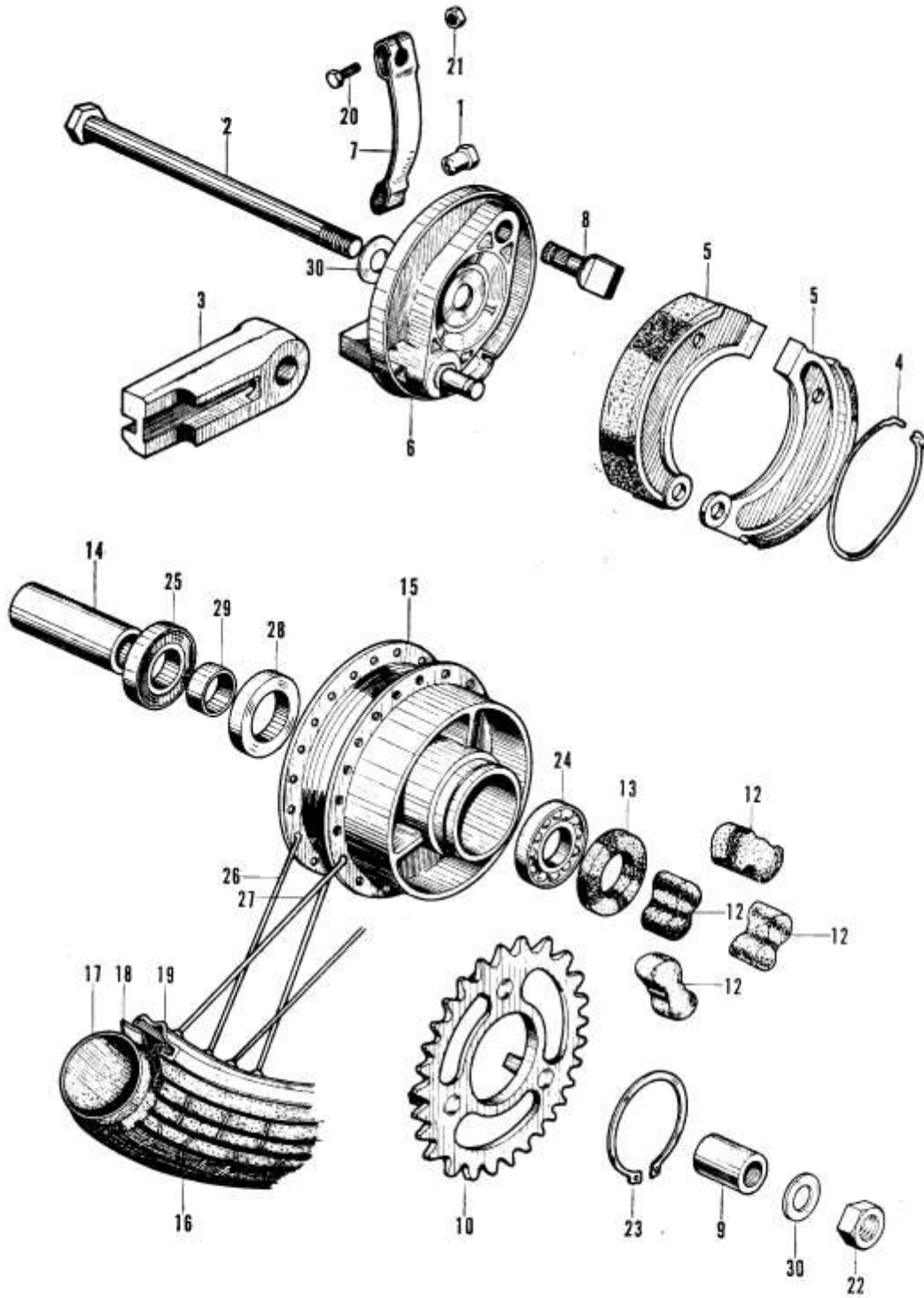


# HONDA

## F-10 Rear Cushion

Ref. No.	Part No.	Description	No. Reqd.	No. Used on		News No.
				From	To	
1	52400-063-010D	CUSHION ASSY., rear (Columbia blue) (Used in General)	2	PS50-1000001		
	52400-063-010AW	CUSHION ASSY., rear (Bright red) ... (Used in General)	2	PS50-1000001		
●	52400-063-010F	CUSHION ASSY., rear (Elephant gray) (Used in General)	2	PS50-1002475		8036
	52400-063-691D	CUSHION ASSY., rear (Columbia blue) (Used in England, France)	2	PS50-1000001		
	52400-063-691AW	CUSHION ASSY., rear (Bright red) ... (Used in England, France)	2	PS50-1000001		
●	52400-063-691F	CUSHION ASSY., rear (Elephant gray) (Used in England, France)	2	PS50-1002475		8036
2	52420-063-010	JOINT, bottom, rear cushion .....	2	PS50-1000001		
3	52465-063-000XL	CASE, bottom, rear cushion .....	2	PS50-1000001		
		(Ivory white)				
4	52401-063-000	SPRING, rear cushion .....	2	PS50-1000001		
		(Used in General)				
	52401-063-690	SPRING, rear cushion .....	2	PS50-1000001		
		(Used in England France)				
5	52481-063-000	NUT, locking, rear cushion .....	2	PS50-1000001		
6	52475-001-040	RUBBER, stopper, rear cushion .....	2	PS50-1000001		
7	52407-063-000	SEAT, upper, rear cushion spring .....	2	PS50-1000001		
8	52460-011-000D	CASE, upper, rear cushion .....	2	PS50-1000001		
		(Columbia blue)				
	52460-011-000AW	CASE, upper, rear cushion (Bright red)	2	PS50-1000001		
●	52460-011-000F	CASE, upper, rear cushion .....	2	PS50-1002475		8036
		(Elephant gray)				
9	52450-063-305	DAMPER, rear cushion .....	2	PS50-1000001		
10	52488-063-000	COLLAR, upper, rear cushion rubber	2	PS50-1000001		
11	52485-001-020	BUSH, upper, rear cushion rubber .....	2	PS50-1000001		
12	92210-08030-0A	BOLT, hex., 8 x 30 .....	2			
13	94021-10000-0S	NUT, blind, 10 mm .....	2			
14	94101-10000	WASHER, plain, 10 mm .....	4			





## F-11 Rear Wheel

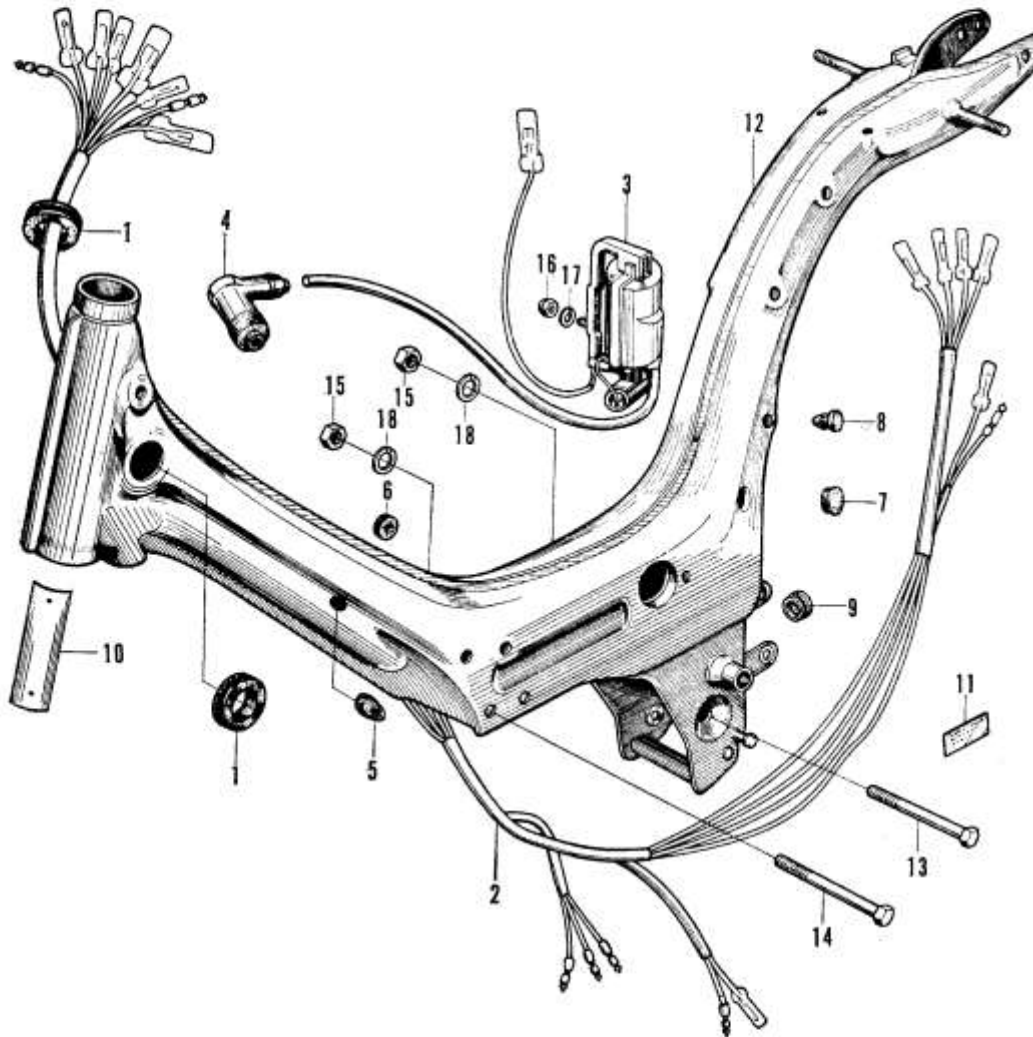
## HONDA

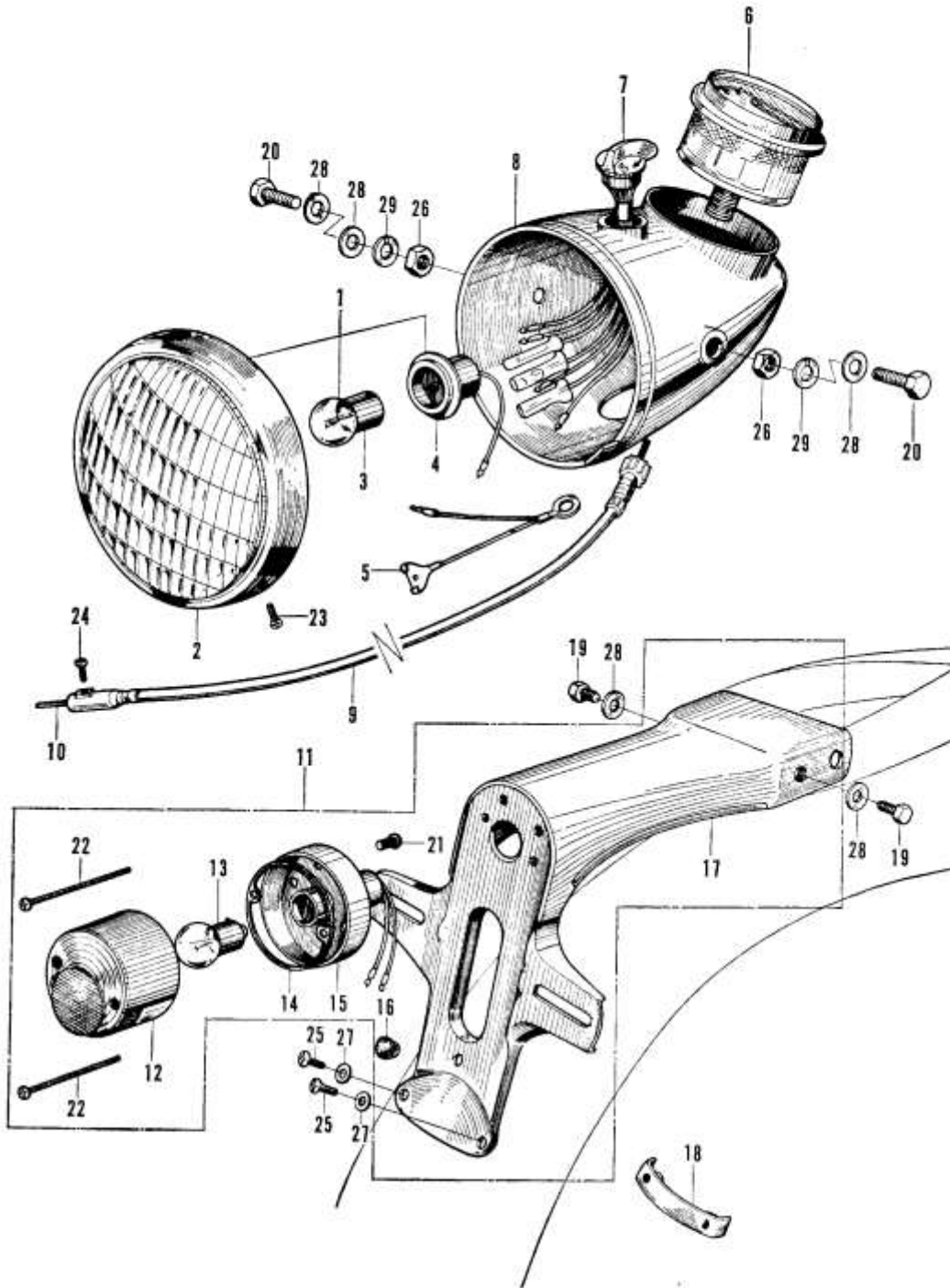
Ref. No.	Part No.	Description	No. Reqd.	No. Used on		News No.
				From	To	
1	43473-063-000	NUT, rear brake adjusting .....	1	PS50-1000001		
2	42301-063-010	AXLE, rear wheel .....	1	PS50-1000001		
3	42313-063-000	COLLAR, side, rear brake panel .....	1	PS50-1000001		
4	45133-044-000	SPRING, brake show .....	1	PS50-1000001		
5	45120-063-003	SHOE, brake (Fuji) .....	2	PS50-1000001		
6	43100-063-020	PANEL, rear brake .....	1	PS50-1000001		
7	43410-063-020	ARM, rear brake .....	1	PS50-1000001		
8	43141-063-010	CAM, rear brake .....	1	PS50-1000001		
9	42311-063-010	COLLAR, rear wheel side .....	1	PS50-1000001		
10	41201-064-020	SPROCKET, final driven (31T) .....	1	PS50-1000001		
●11						8002
12	41241-063-000	DAMPER, rear wheel .....	6	PS50-1000001		
13	90752-044-000	OIL-SEAL, 17326 .....	2	PS50-1000001		
14	42620-063-010	COLLAR, distance, rear axle .....	1	PS50-1000001		
15	42601-063-020	HUB, rear wheel.....	1	PS50-1000001		
16	42711-0 3-003	TIRE, rear wheel (Bridgestone).....	1	PS50-1000001		
	42711-0 3-006	TIRE, rear wheel (Nitto) .....	1	PS50-1000001		
17	44712-0 3-000	TUBE, wheel .....	1	PS50-1000001		
18	41713-063-000	FRAP, tire.....	1			
19	42701-063-003	RIM, rear wheel (Daido) .....	1	PS50-1000001		
20	92000-05022-0A	BOLT, hex., 5×2.2.....	1	PS50-1000001		
21	94001-05000-0S	NUT, hex., 5 mm .....	1	PS50-1000001		
22	94001-12000-0S	NUT, hex., 12 mm .....	1	PS50-1000001		
23	94515-38000	CIR-CLIP, external, 38 mm.....	1			
24	96100-62010	BEARING, ball, 6201.....	1			
25	96140-62010	BEARING, ball, 6201R.....	1			
26	97197-212351	SPORK A, 12×197.5.....	18			
27	97324-212341	SPORK A, 12×197 .....	18			
●28	42315-063-303	COLLAR, rear wheel inner.....	1	PS50-1000001	PS50-1002292	8020
●29	42621-063-303	COLLAR, left rear axle distance .....	1	PS50-1000001	PS50-1002292	8020
●30	94101-12000	WASHER, plain, 12 mm .....	2			8027

# HONDA

## F-12 Frame Body

Ref. No.	Part No.	Description	No. Reqd.	No. Used on		News No.
				From	To	
1	32983-063-000	GROMMET, wire cord .....	2	PS50-1000001		
2	32100-064-000	HARNESS, wire (Used in General) ...	1	PS50-1000001		
	32100-064-690	HARNESS, wire (Used in England) ...	1	PS50-1000001		
	32100-064-620	HARNESS, wire (Used in France).....	1	PS50-1000001		
3	30500-063-004	COIL, ignition (Nippon Denso) .....	1	PS50-1000001		
4	30700-063-681	CAP ASSY., noise suppresser .....	1	PS50-1000001		
5	17911-023-000	GROMMET, throttle wire .....	1	PS50-1000001		
6	50163-063-000	GROMMET, feed tube .....	1	PS50-1000001		
7	50161-064-000	GROMMET, tube hole .....	1	PS50-1000001		
8	50162-063-000	GROMMET, screw hole.....	2	PS50-1000001		
9	50165-063-300	CAP, hole, rear brake cable .....	1	PS50-1000001		
10	87125-253-680	PLATE A, name .....	1	PS50-1000001		
11	87501-064-620	PLATE, registered number .....	1	PS50-1000001		
		(Used in France)				
12	50100-063-010D	BODY, frame (Columbia blue).....	1	PS50-1000001		
		(Used in General England)				
	50100-063-010AW	BODY, frame (Bright red).....	1	PS50-1000001		
		(Used in General England)				
●	50100-063-010F	BODY, frame (Elephant gray) .....	1	PS50-1002475		8036
		(Used Genera, England)				
	50100-063-010Z	BODY, frame (Non sanding).....	1	PS50-1000001		
		(Used in General England)				
	50100-063-620D	BODY, frame (Columbia blue).....	1	PS50-1000001		
		(Used in France)				
	50100-063-620AW	BODY, frame (Bright red).....	1	PS50-1000001		
		(Used in France)				
●	50100-063-620F	BODY, frame (Elephant gray) .....	1	PS50-1002475		8036
		(Used in France)				
	50100-063-620Z	BODY, frame (Non sanding) .....	1	PS50-1000001		
		(Used in France)				
13	92000-08080-0A	BOLT, hex., 8×80 .....	1			
14	92000-08083-0A	BOLT, hex., 8×83 .....	1			
15	94001-08000-0S	NUT, hex., 8 mm .....	2			
16	94021-06020-0S	NUT, blind., 6 mm .....	1			
17	94111-06000	WASHER, spring, 6 mm .....	1			
18	94111-08000	WASHER, spring, 8 mm .....	2			





### F-13 Head Light · Tail Light

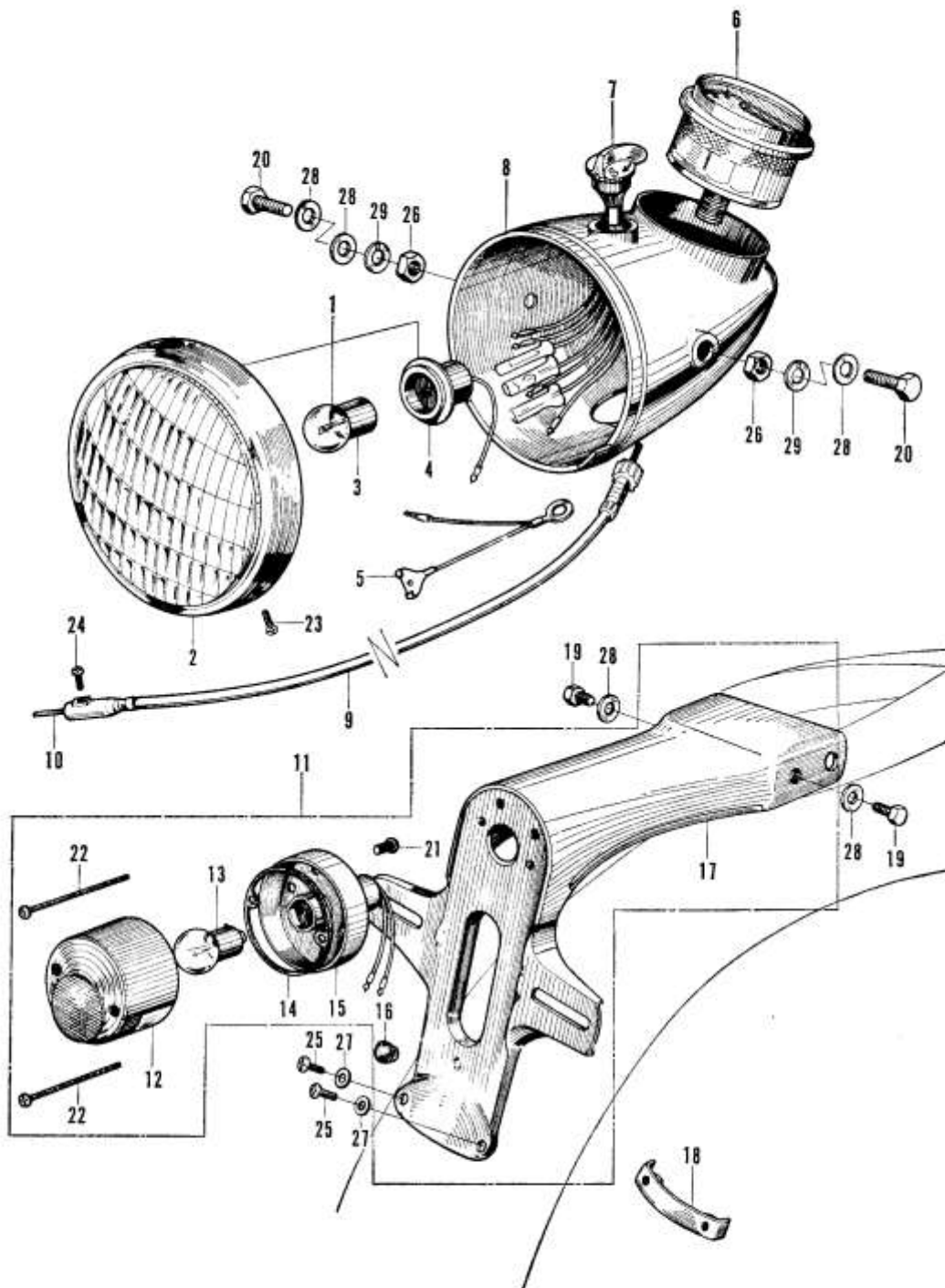
**HONDA**

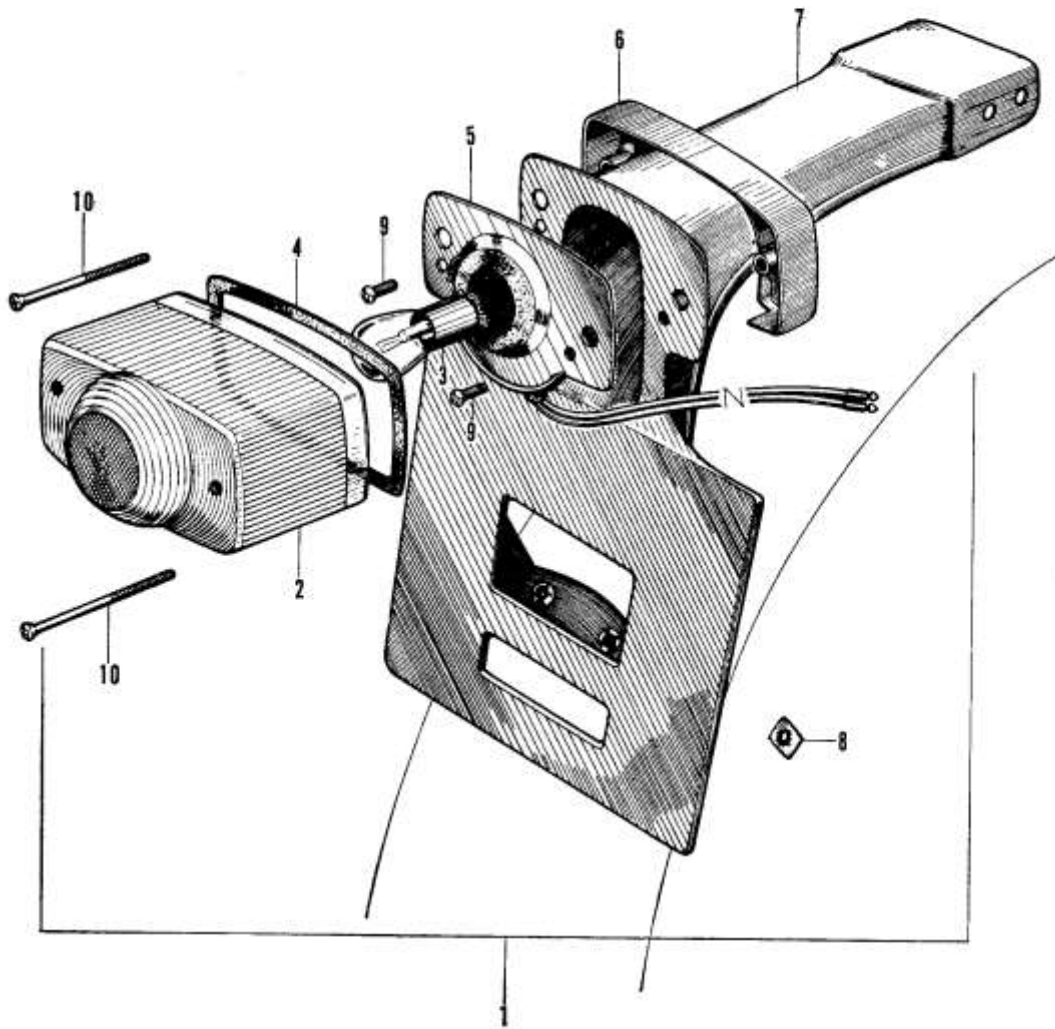
Ref. No.	Part No.	Description	No. Reqd.	No. Used on		New No.
				From	To	
1	33100-064-003	LIGHT ASSY., head (Stanley) ..... (Used in General England)	1	PS50-1000001		
	33100-064-155	LIGHT ASSY., head (Hakkosha) ..... (Used in General England)	1	PS50-1000001		
	33100-064-691	LIGHT ASSY., head (Stanley) ..... (Used in France)	1	PS50-1000001		
	33100-064-692	LIGHT ASSY., head (Hakkosha) ..... (Used in France)	1	PS50-1000001		
2	33121-064-155	LENS, head light (Hakkosha).....	1	PS50-1000001		
	33121-064-003	LENS, head light (Stanley) .....	1	PS50-1000001		
3	34901-044-000	BULB, head light (6V 10W) ..... (Used in General England)	1	PS50-1000001		
4	33130-044-000	SOCKET, head light ..... (Used in General England)	1	PS50-1000001		
	33130-044-620	SOCKET, head light (Hakkosha) ..... (Used in France)	1	PS50-1000001		
	33130-044-621	SOCKET, head light (Stanley) ..... (Used in France)	1	PS50-1000001		
5	34902-064-000	EARTH, head light .....	1	PS50-1000001		
6	37200-064-018	SPEEDOMETER (Km/h) (Nippon Seiki) (Used in France, General)	1	PS50-1000001		
	37200-064-681	SPEEDOMETER (MPH) (Nippon Seiki) (Used in General England)	1	PS50-1000001		
7	35100-064-003	SWITCH, lighting (Toyo Denso) .....	1	PS50-1000001		
8	61301-064-000XL	CASE, head light (Ivory white).....	1	PS50-1000001		800
9	44830-064-000	CABLE, speedometer.....	1	PS50-1000001		
10	44831-064-000	CABLE, speedometer inner.....	1	PS50-1000001		
11	33700-063-003	LIGHT ASSY., tail (Stanley) ..... (Used in General)	1	PS50-1000001		
	33700-063-621	LIGHT ASSY., tail (Stanley) ..... (Used in France)	1	PS50-1000001		
12	33701-063-003	LENS, tail light (Stanley)..... (Used in General France)	1	PS50-1000001		
13	34906-044-000	BULB, tail light (6V 2/6W)..... (Used in General)	1	PS50-1000001		
14	33705-063-003	COLLAR, tail lens set (Stanley)..... (Used in General France)	1	PS50-1000001		
15	33703-063-013	SOCKET, tail light (Stanley) ..... (Used in General)	1	PS50-1000001		
16	33703-063-622	SOCKET, tail light (Stanley) ..... (Used in France)	1	PS50-1000001		



**HONDA****F-13 Head Light · Tail Light**

Ref. No.	Part No.	Description	No. Reqd.	No. Used on		News No.
				From	To	
16	33711-044-000	RUBBER, number bracket shock ..... (Used in General France)	1	PS50-1000001		
17	84701-063-013T	BRACKET, number plate (Stanley) ..... (Metalic Silver) (Used in General)	1	PS50-1000001		
	84701-063-622T	BRACKET, number plate (Stanley) ..... (Metalic Silver) (Used in France)	1	PS50-1000001		
18	80109-063-000	PLATE, tail nut .....	1	PS50-1000001		
19	92000-00012	BOLT, hex., 6×12 .....	2			
20	92000-06016	BOLT, hex., 6×16 .....	2			
21	93500-03003-0A	SCREW, pan, 3×6.....	2			
22	93500-03042-0A	SCREW, pan, 3×42 .....	2			
23	93700-03010-0A	SCREW, pan, 3×10 .....	1			
24	93500-04003-0A	SCREW, pan, 4×6.....	1			
25	93500-05012-0A	SCREW, pan, 5×12 .....	2			
26	94001-05000	NUT, hex., 6 mm .....	2			
27	94101-05000	WASHER, plain, 5 mm.....	2			
●28	94101-06000	WASHER, plain, 6 mm.....	5			8001
●29	94111-06000	WASHER, spring, 5 mm .....	2			8001



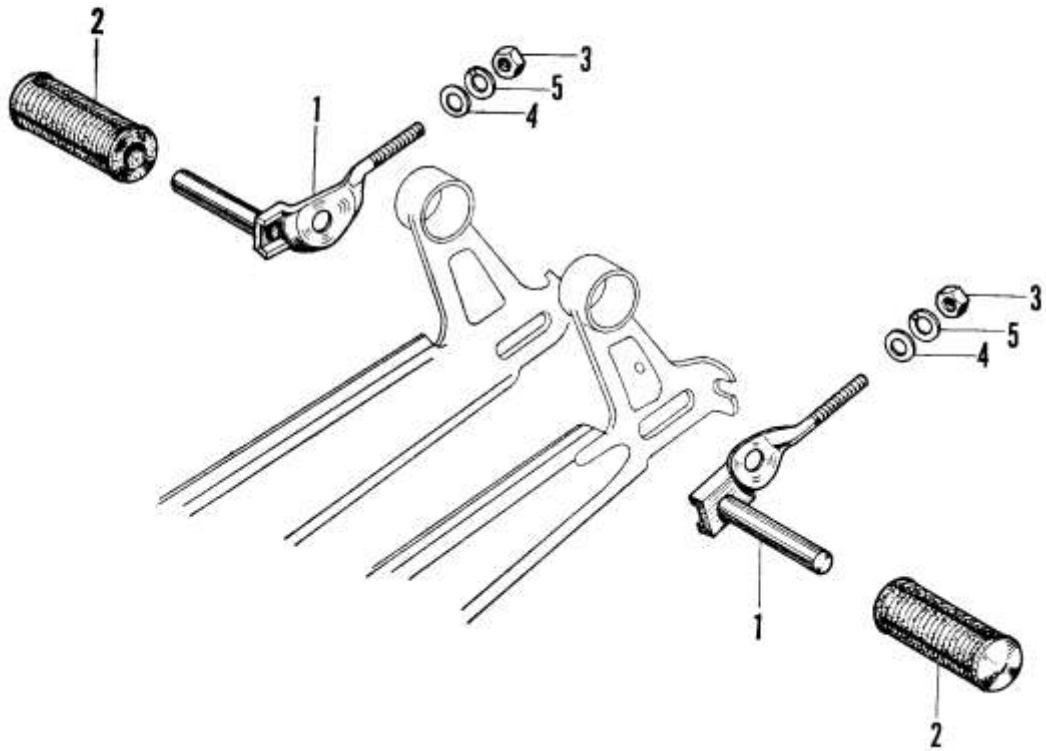


**F-14 Tail Light (Used in England)****HONDA**

Ref. No.	Part No.	Description	No. Reqd.	No. Used on		News No.
				From	To	
1	33700-063-601	LIGHT ASSY., tail.....	1	PS50-1000001		
2	33701-268-830	LENS, tail light .....	1	PS50-1000001		
3	34906-202-830	BULB, tail light .....	1	PS50-1000001		
4	33709-268-810	PACKING, tail light lens.....	1	PS50-1000001		
5	33703-063-600	SOCKET, tail light.....	1	PS50-1000001		
6	33705-044-600	PLATE, lens holder .....	1	PS50-1000001		
7	84701-063-601T	BRACKET, number plate .....	1	PS50-1000001		
		(Metalic Silver)				
8	80112-044-600	PLATE B, tail light setting.....	2	PS50-1000001		
9	93500-04010-0A	SCREW, pan, 4×10 .....	2			
10	93700-03060-0A	SCREW, oval, 3×60 .....	2			

**HONDA****F-15 Pillion Step (Optional Parts)**

Ref. No.	Part No.	Description	No. Reqd.	No. Used on		News No.
				From	To	
● 1	40543-054-810	ADJUSTER, drive chain .....	2	PS50-1000001	8035	
2	50731-001-810	RUBBER, pillion step.....	2	PS50-1000001		
3	94001-03000	NUT, hex., 6 mm .....	2			
4	94101-06000	WASHER, plain, 6 mm.....	2			
5	94111-03000	WASHER, spring, 6 mm .....	2			
● 6	83511-063-810	SPANNER, 10×12.....	1	PS50-1000001	8035	
● 7	89212-063-810	WRENCH, socket, 17 mm .....	1	PS50-1000001	8035	
● 8	06110-063-000	SET A, gasket .....	1	PS50-1000001	8041	
● 9	06111-063-000	SET B, gasket .....	1	PS50-1000001	8042	



## PART NO. INDEX

Part No.	Page	Part No.	Page	Part No.	Page	Part No.	Page
<b>06000 Parts</b>		13115-001-000.....	7	16173-063-004.....	23	●18401-063-000.....	44
●06110-063-000.....	60	13201-063-300.....	12	16178-548-004.....	23	<b>22000 Parts</b>	
●06111-063-000.....	60	13211-044-030.....	12	16181-001-004.....	23	22101-064-010.....	11
<b>11000 Parts</b>		13311-063-310.....	12	16181-250-004.....	23	22111-064-020.....	11
●11100-063-030.....	20	13321-063-310.....	12	16185-044-004.....	23	22112-064-000.....	11
●11100-064-620.....	20	13381-063-300.....	12	16189-056-004.....	23	22120-036-020.....	11
11116-063-300.....	7	<b>14000 Parts</b>		16194-063-004.....	23	22131-064-010.....	11
●11116-063-310.....	7	14100-044-030.....	4	16196-063-004.....	23	22201-035-000.....	11
11117-063-300.....	7	14120-044-020.....	4	16197-063-004.....	23	22331-035-000.....	11
●11117-063-330.....	7	14311-063-310.....	12	16199-063-004.....	23	22351-064-010.....	11
11120-063-310.....	7	14315-044-010.....	11	16265-063-000.....	4	22401-035-000.....	11
●11120-063-320.....	7	14401-044-000.....	7	16266-063-000.....	4	22421-035-000.....	11
●11122-044-310.....	7	14431-044-030.....	3	16267-063-000.....	4	22810-064-010.....	8
●11130-063-020.....	7	14451-044-000.....	3	16268-063-000.....	4	●22810-064-020.....	8
●11141-063-300.....	7	14481-044-000.....	3	16950-044-004.....	40	22813-064-000.....	8
11191-063-010.....	20	14711-044-680.....	4	16953-044-004.....	40	●22815-064-030.....	8
11201-063-020.....	20	14721-044-682.....	4	16958-044-004.....	40	22870-064-020.....	27
●11331-064-040.....	8	14751-044-000.....	4	16960-044-004.....	40	22901-001-000.....	11
●11332-064-010.....	8	●14751-044-010.....	4	16962-044-004.....	40	<b>23000 Parts</b>	
●11335-064-000.....	20	●14751-063-000.....	4	16963-044-004.....	40	23101-064-010.....	11
11350-064-010.....	8	14771-044-000.....	4	16997-044-004.....	40	23110-063-000.....	11
11394-063-010.....	8	14772-044-000.....	4	<b>17000 Parts</b>		23210-064-040.....	16
11431-063-000.....	15	●14772-044-010.....	4	17133-063-010.....	20	●23210-064-060.....	16
<b>12000 Parts</b>		14777-044-010.....	4	17200-063-030D ...	39	23221-064-040.....	16
12021-044-000.....	4	●14777-044-020.....	4	17200-063-030AW	39	●23421-064-030.....	16
12023-044-000.....	4	14781-044-000.....	4	●17200-063-030F ...	39	23441-064-010.....	16
12101-063-010.....	7	<b>15000 Parts</b>		●17205-063-020.....	39	23461-064-010.....	16
12191-063-000.....	7	15420-044-060.....	7	17225-063-020D ...	39	23801-027-811.....	16
12200-063-000.....	4	●15420-063-000.....	7	17225-063-020AW	39	23802-040-000.....	16
●12200-063-010.....	4	●15650-063-010.....	8	17227-063-010.....	39	23805-063-010.....	16
12203-063-310.....	4	<b>16000 Parts</b>		12251-063-010.....	39	<b>24000 Parts</b>	
●12203-063-320.....	4	16100-063-004.....	23	17253-063-010.....	39	24201-064-000.....	16
12204-063-000.....	4	●16100-064-014.....	23	17255-063-000.....	39	24205-064-010.....	16
●12204-063-010.....	4	16118-063-004.....	23	17260-063-020D ...	39	24208-064-010.....	8
12206-044-300.....	4	16119-063-004.....	23	17260-063-020AW	39	24611-064-020.....	8
12251-044-020.....	4	16122-063-004.....	23	●17260-063-020F ...	39	24630-064-010.....	8
12301-063-000.....	3	16126-063-004.....	23	17500-064-020T ...	40	24641-064-000.....	8
12361-064-000.....	3	16127-063-004.....	23	17613-064-020.....	40	24661-064-000.....	8
12391-044-030.....	3	16133-063-004.....	24	17620-044-000.....	40	24672-064-000.....	8
12401-044-020.....	3	16141-063-004.....	23	17631-001-000.....	40	●24672-064-010.....	8
<b>13000 Parts</b>		16151-063-004.....	23	17910-063-020.....	27	24730-064-020.....	27
13000-063-020.....	12	16156-044-004.....	23	17911-044-000.....	27	<b>28000 Parts</b>	
13010-044-000.....	7	16157-044-004.....	23	17911-023-000.....	52	28239-063-010.....	19
13101-044-030.....	7	16162-044-004.....	23	<b>18000 Parts</b>		28252-064-000.....	8
13111-044-010.....	7	16163-063-004.....	23	18291-044-020.....	44	28802-064-000.....	19
		●16164-225-004.....	23	18300-063-000.....	44		
		16171-044-004.....	23	18300-064-620.....	44		
				●18400-063-000.....	44		





## PART NO. INDEX

Part No.	Page	Part No.	Page	Part No.	Page	Part No.	Page
		53600-044-000.....	31	● 89212-063-810.....	60		
<b>52000 Parts</b>		<b>61000 Parts</b>		<b>90000 Parts</b>		<b>91000 Parts</b>	
52100-063-000D ...	43	61100-064-010XL	31	90012-044-000.....	3	91101-205-010.....	12
52100-063-000AW	43	61131-064-600B ...	31	90013-044-000.....	20	91203-035-000.....	16
● 52100-063-000F ...	43	● 61301-064-000XL	55	90081-044-000.....	3	91204-063-003... 8,	19
52100-063-000Z ...	43			90101-063-000.....	27	91211-044-000.....	20
52108-023-000.....	43	<b>77000 Parts</b>		90101-063-000.....	27	91301-812-000.....	8
52161-001-010XL	43	77200-064-020A ...	40	90111-063-000.....	47	91302-044-010.....	4
52400-063-010D ...	48	77201-064-010.....	40	90114-063-000.....	27	91308-283-000.....	8
52400-063-010AW	48	77500-063-020D ...	40	90114-064-000.....	27	91311-044-000.....	8
● 52400-063-010F ...	48	77500-063-020AW	40	90121-063-000.....	43		
52400-063-691D ...	48	● 77500-063-020F ...	40	90137-064-000.....	27	<b>99000 Parts</b>	
52400-063-691AW	48	77500-068-020Z ...	40	● 90145-063-000.....	15	99114-063-0500 ...	23
● 52400-063-691F ...	48			90201-044-000.....	15	99114-063-0520 ...	23
52401-063-000.....	48	<b>80000 Parts</b>		90201-064-000.....	27	99114-063-0550 ...	23
52401-063-690.....	48	80100-063-000XL	44	90206-001-000.....	3	99114-063-0580 ...	23
52407-063-000.....	48	80100-063-620XL	44	90231-041-000.....	11	99114-063-0600 ...	23
52420-063-010.....	48	80109-063-000.....	56	90232-063-000.....	4		
52450-063-305.....	48	80112-044-600.....	59	90301-044-000.....	27		
52460-011-000D ...	48			90302-064-000XL	27		
52460-011-000AW	48	<b>83000 Parts</b>		90311-064-000.....	28		
● 52460-011-000F ...	48	83500-064-010B ...	40	90426-001-000.....	15		
52465-063-000XL	48	● 83511-063-810.....	60	● 90441-044-300.....	7		
52475-001-040.....	48	83512-064-000.....	40	90443-044-000.....	11		
52476-063-000.....	43	83513-044-000.....	40	90445-063-300.....	7		
52481-063-000.....	48	83517-063-000.....	40	90451-040-000...11,	16		
52485-001-020.....	48			90453-235-000.....	19		
52486-063-000.....	43	<b>84000 Parts</b>		90457-044-010.....	4		
52488-063-000.....	48	84701-063-013T ...	59	90458-044-000.....	7		
		84701-063-601T ...	59	90459-064-010.....	14		
		84701-063-622T ...	56	90463-063-020...16,	19		
				● 90466-064-000.....	11		
<b>53000 Parts</b>		<b>87000 Parts</b>		90468-064-000.....	16		
53100-064-020.....	28	87121-064-000.....	40	90488-044-000... 3,	20		
53111-064-010.....	27	87122-064-000.....	40	90539-044-000.....	36		
53112-064-010.....	27	87125-253-680.....	52	90543-063-010.....	43		
● 53112-064-010T ...	27	87501-064-620.....	52	90545-044-000.....	47		
53141-044-010.....	27			● 90553-706-000.....	19		
53150-064-000.....	27	<b>88000 Parts</b>		90603-044-000.....	3		
53161-044-000.....	27	88100-063-000.....	27	90605-064-000.....	8		
53162-063-000.....	27	88100-064-000.....	27	90609-064-000.....	8		
53163-044-010.....	27			90611-064-000.....	8		
53165-063-000XL	27	<b>89000 Parts</b>		90704-035-000.....	20		
53166-064-000XL	27	89101-063-000.....	40	90741-044-000.....	12		
53167-064-000.....	28			90742-044-000.....	4		
53175-063-000XL	27			90751-044-000.....	36		
53178-063-000XL	27			90752-044-000...36,	51		
53182-064-000.....	27			90753-044-000.....	36		
53190-064-000.....	28			90755-064-013.....	35		
53195-064-000.....	28			● 90841-001-000.....	20		
53211-044-010.....	31						
53212-044-000.....	31						
● 53230-064-010T ...	27						

**HONDA MOTOR CO. LTD.**