



# HONDA

PS50K<sub>1</sub>



**3**

**PARTS LIST**  
**HONDA GENUINE PARTS**



# PARTS LIST FOR HONDA

PS50K1

---

## FOREWORD

This parts list contains all the spare parts for the PS50K1 model and is to be used when ordering spare parts.

The frame number must be forwarded together with any parts order.

The reason for this is that it is necessary to verify that the parts being ordered are applicable to the model series intended.

No supplement to this parts list will be issued. In case of any change to its content, no notification or supplement will be issued for this parts list. However, a revised edition of this parts list will be issued to maintain it up-to-date. The revised edition can be identified by the revision No. on the cover. To check on the latest parts list revision, please contact your nearest distributor.

October 1, 1971

HONDA MOTOR CO., LTD.

---

## GROUP INDEX

INSTRUCTION  
FOR  
USE OF PARTS LIST  
II ~ III

## ENGINE GROUP

4 ~ 23

## FRAME GROUP

24 ~ 25

## PART NO. INDEX

(1) ~ (3)

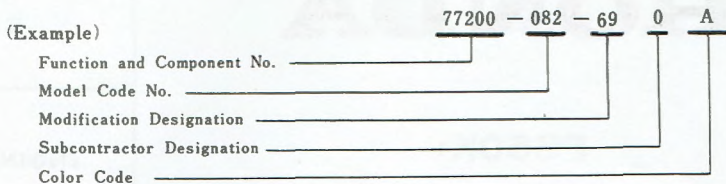


# INSTRUCTION FOR USE OF PARTS LIST

## DESCRIPTION OF PARTS LIST

### 1. Make-up of the Part Number

The following example is the definition of part number.



### 2. Abbreviations

The abbreviations used in this parts list are as follows.

ASSY.	.....	Assembly
COMP.	.....	Complete
hex.	.....	hexagonal
22T	.....	22 teeth

### 3. Dimensions

All dimensions are in millimeters except for the steel balls and wheels.

Parts	Example	Interpretation
Bolt (Screw)	6×12	6 mm diameter, 12 mm length
Pin	8×14	8 mm diameter, 14 mm length
O-Ring	9.5×1.6	9.5 mm diameter, 1.6 mm thickness
Oil seal	14×24×5	14 mm inside diameter, 24 mm outside diameter, 5 mm thickness
Tube	5×130	5 mm inside diameter, 130 mm length

### 4. Quantity used

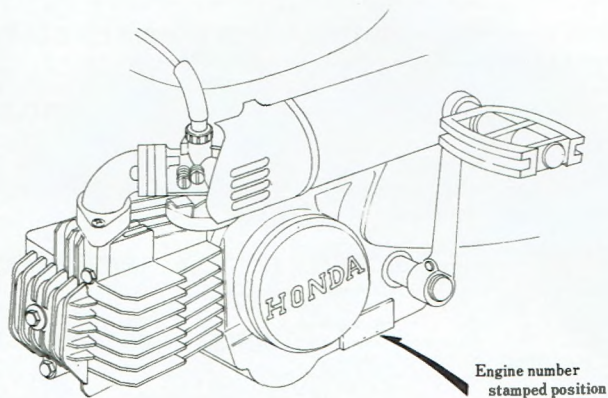
In the column "Reqd. No." is shown the quantity of parts used in the respective group.

## 5. Applicable Serial Number

If there is production change to a part, the frame serial number to which this part become effective will be indicated in the "Remarks" column. However, in case the part is used from the initial serial number, its applicable serial number is not shown. The initial serial number for model as follows.

PS50K1 (Taiwan Type)	PS50KE-C00001~
PS50K1 (Belgian Type)	PS50KE-C00011
PS50K1 (Netherlands Type)	PS50KE-C00831
PS50K1 (France Type)	PS50KE-C02584

The serial number are stamped in the following location.





# CONTENTS

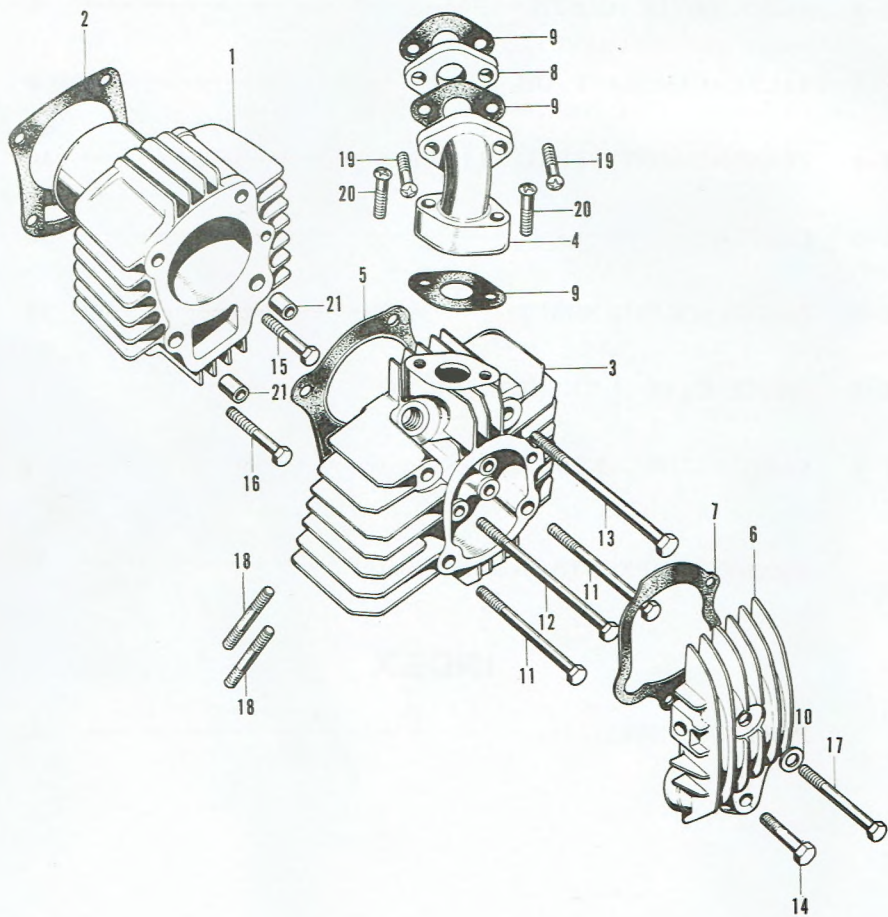
Block No.	Description	Page
E-1	CYLINDER · CYLINDER HEAD .....	4
E-2	RIGHT COVER · CLUTH .....	6
E-3	VALVE · CAMSHAFT · OIL PUMP .....	8
E-4	TRANSMISSION · PEDAL CLUTCH .....	10
E-5	CLUTCH .....	12
E-6	PISTON · CRANK SHAFT .....	14
E-7	CRANK CASE · A.C.GENERATOR .....	16
E-8	CARBURETOR (KEIHIN) .....	20
	FRAME COMPONENTS(Used in France) .....	24

## INDEX

PART NO. INDEX .....	(1)
----------------------	-----



# E-1 CYLINDER · CYLINDER HEAD

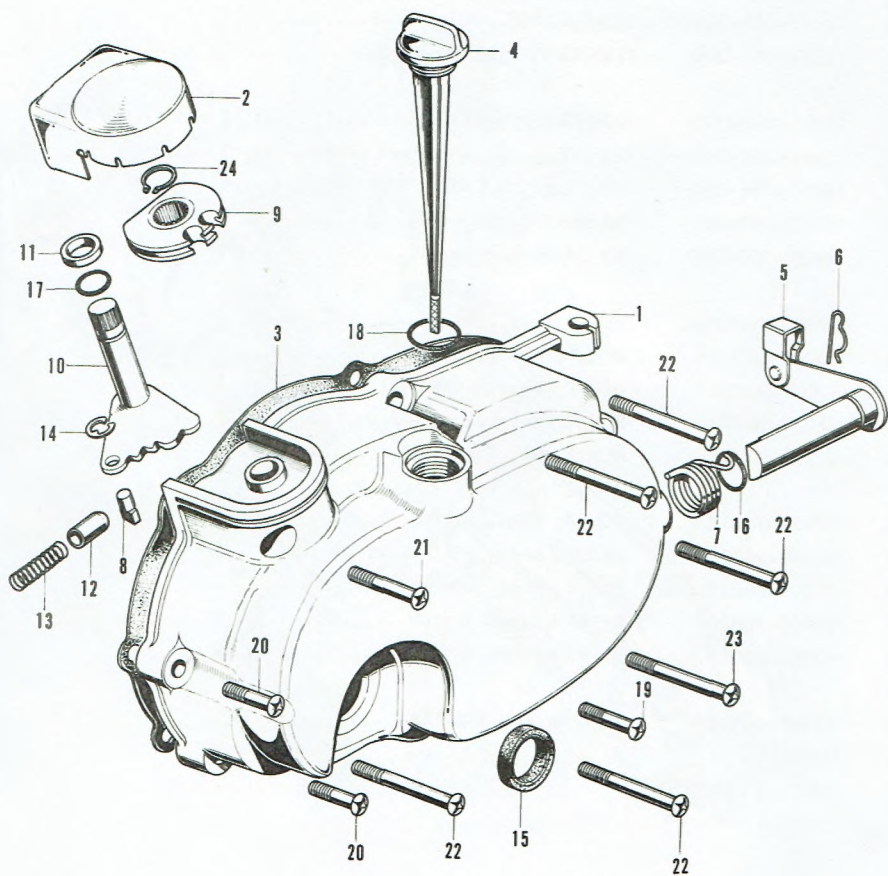




## E-1 CYLINDER-CYLINDER HEAD

Ref. No.	Part No.	Description	Qty used P S 50 K1	Remarks
1	12100-081-010	CYLINDER.....	1	
2	12191-081-000	GASKET, cylinder.....	1	
3	12200-081-010	HEAD, cylinder.....	1	
4	12210-081-000	PIPE COMP., inlet.....	1	
5	12251-081-000	GASKET, cylinder head.....	1	
6	12301-082-030	COVER, cylinder head.....	1	
7	12391-081-040	GASKET, cylinder head cover.....	1	
8	16265-081-000	INSULATOR CARBURETOR.....	1	
9	16267-081-000	GASKET, pipe inlet.....	3	
10	90478-700-000	WASHER A, 6 mm.....	1	
11	92000-06071	BOLT, hex., 6 x 71.....	2	
12	92000-06100	BOLT, hex., 6 x 100.....	1	
13	92000-06112	BOLT, hex., 6 x 112.....	1	
14	92100-06020	BOLT, hex., 6 x 20.....	1	
15	92100-06028	BOLT, hex., 6 x 28.....	1	
16	92100-06032	BOLT, hex., 6 x 32.....	1	
17	92100-06056	BOLT, hex., 6 x 56.....	1	
18	92700-06027-10	BOLT, stud, 6 x 30.....	2	
19	93500-06020	SCREW, pan, 6 x 20.....	2	
20	93500-06025	SCREW, pan, 6 x 25.....	2	
21	94301-08120	PIN, dowel, 8 x 12A.....	2	

# E-2 RIGHT COVER - CLUTCH

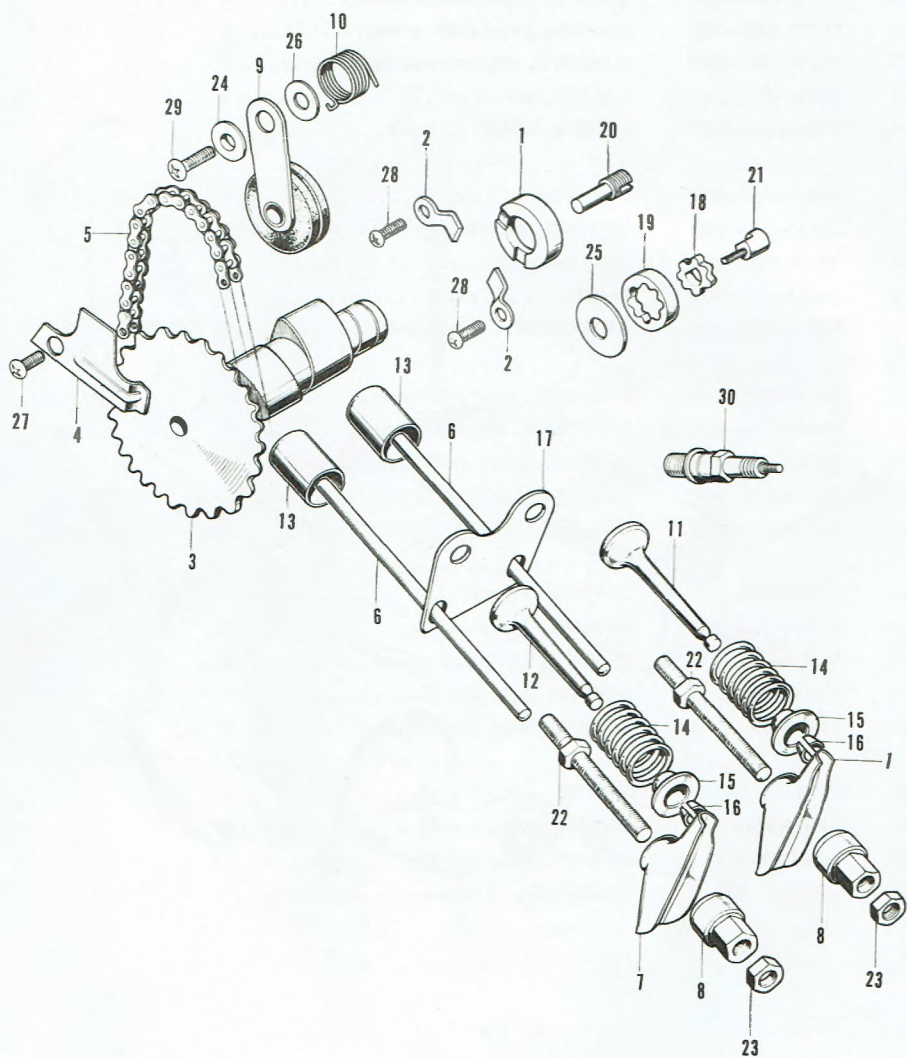


## E-2 RIGHT COVER -CLUTCH

Ref. No.	Part No.	Description	Qty used PS 50 K1	Remarks
1	11331-082-000	COVER, right crank case.....	1	
2	11351-082-000	COVER, gear shift wheel.....	1	
3	11394-081-010	GASKET, right crank case cover...	1	
4	15650-040-000	GAUGE, oil.....	1	
5	22810-064-020	LEVER COMP., clutch.....	1	
6	22813-064-000	PIN, lock, 13 mm.....	1	
7	22815-064-030	SPRING, clutch lever.....	1	
8	24208-082-000	PIN, gear shifter.....	1	
9	24611-082-000	WHEEL, gear shift.....	1	
10	24630-082-000	ARM COMP., gear shift.....	1	
11	24641-064-000	COLLAR, gear shift arm.....	1	
12	24661-064-000	STOPPER, gear shift arm.....	1	
13	24672-082-000	SPRING, gear shift stopper.....	1	
14	90603-044-000	CIR-CLIP, E type 6 mm.....	1	
15	91203-081-005	OIL-SEAL, 17295.....	1	
16	91301-812-000	O-RING, 10 mm.....	1	
17	91308-283-000	O-RING, 7.8 x 22.....	1	
18	91311-044-000	O-RING, 18.2 $\phi$ .....	1	
19	93500-06020	SCREW, pan, 6 x 20.....	1	
20	93500-06025	SCREW, pan, 6 x 25.....	2	
21	93500-06045	SCREW, pan, 6 x 45.....	1	
22	93500-06085	SCREW, pan, 6 x 85.....	5	
23	93500-06095	SCREW, pan, 6 x 95.....	1	
24	94510-11000	CIR-CLIP, 11 mm.....	1	



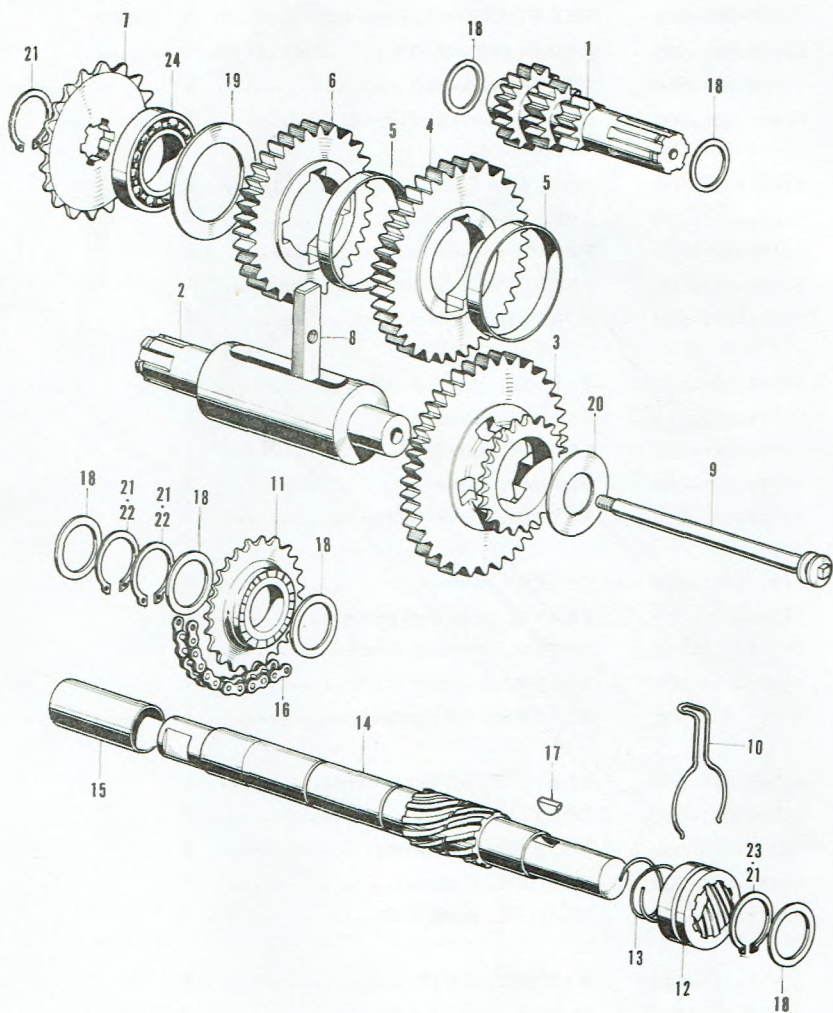
# E-3 VALVE-CAMSHAFT-OIL PUMP



### E-3 VALVE-CAMSHAFT-OIL PUMP

Ref. No.	Part No.	Description	Qty used P S 50 K1	Remarks
1	11215-081-000	(Superseded by 11215-114-010) ...	1	C00630
	11215-114-010	BUSH, 17.5 mm.....	1	C00631
2	11218-081-000	(Superseded by 11218-081-010) ...	2	C00630
	11218-081-010	SET PLATE, 17.5 mm bush .....	2	C00631
3	14101-081-020	CAMSHAFT, (30T).....	1	
4	14105-081-010	PLATE, camshaft set.....	1	
5	14401-081-000	CHAIN, cam (RK210-42L).....	1	
6	14411-081-000	ROD, push.....	2	
7	14431-081-000	ARM, valve rocker.....	2	
8	14451-081-000	PIVOT, rocker arm.....	2	
9	14500-081-000	TENSIONER COMP., cam chain...	1	
10	14541-081-000	SPRING, tensioner.....	1	
11	14711-081-010	VALVE, inlet.....	1	
12	14721-081-010	VALVE, exhaust.....	1	
13	14731-081-000	LIFTER, valve.....	2	
14	14751-081-000	SPRING, valve.....	2	
15	14771-081-010	RETAINER, valve spring.....	2	
16	14781-001-010	COTTER, valve.....	4	
17	14791-081-000	PLATE, push rod guide.....	1	
18	15331-035-000	ROTOR, oil pump inner.....	1	
19	15332-035-000	ROTOR, oil pump outer.....	1	
20	15381-081-000	SHAFT A, oil pump drive.....	1	
21	15382-081-000	SHAFT B, oil pump drive.....	1	
22	90012-081-010	BOLT, pivot.....	2	
23	90206-023-000	NUT, pivot adjusting.....	2	
24	90445-081-000	WASHER, 6 mm.....	1	
25	90471-081-000	WASHER, pump side.....	1	
26	90511-216-670	WASHER, 6 x 17.....	1	
27	93500-06012	SCREW, pan, 6 x 12.....	1	
28	93500-06014	SCREW, pan, 6 x 14.....	2	
29	93500-06016	SCREW, pan, 6 x 16.....	1	
30	98056-57710	PLUG, sparking.....	1	

# E-4 TRANSMISSION · CLUTCH PEDAL

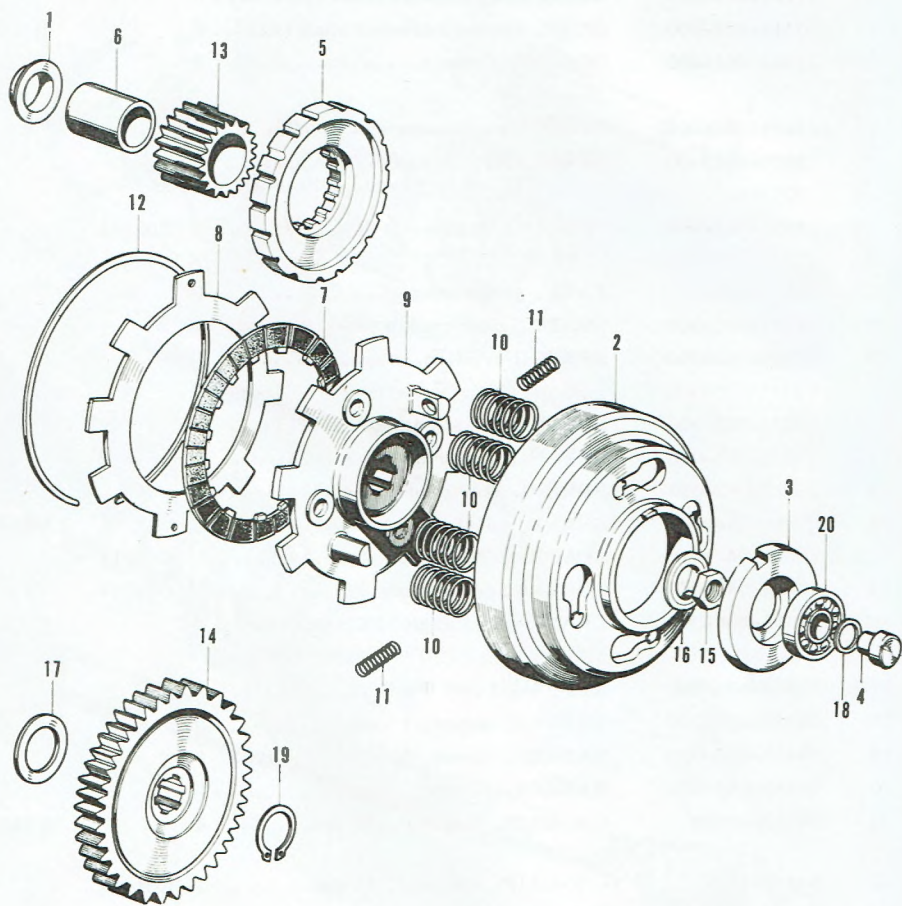




### E-4 TRANSMISSION-PEDAL CLUTCH

Ref. No.	Part No.	Description	Q'ty used		Remarks
			P	S	
1	23210-082-000	SHAFT, main, transmission.....	1		
2	23221-082-000	SHAFT, counter, transmission....	1		
3	23421-082-000	GEAR, low, counter shaft (49 & 18T)	1		
4	23441-082-000	GEAR, second, counter shaft (42T)..	1		
5	23442-082-000	COLLAR 50 mm.....	2		
6	23461-082-000	GEAR, top, counter shaft (38T)....	1		
7	23801-081-000	SPROCKET, drive (15T)..... (Used in France & Belgian)	1		
	23801-082-690	SPROCKET, drive (14T)..... (Used in Netherlands)	1		C02584
8	24201-082-000	PAWL, gear change.....	1		
9	24205-082-000	SHAFT, gear change pawl.....	1		
10	28239-082-000	SPRING, friction.....	1		
11	28802-082-000	SPROCKET, starter drive (21T)...	1		
12	28806-082-000	RATCHET, starter drive (10T)....	1		
13	28807-082-000	SPRING, starter gear set.....	1		
14	28811-082-000	SHAFT, pedal.....	1		C01013
	28811-082-010	SHAFT, pedal.....	1		C01014
15	28812-082-000	COLLAR, pedal shaft.....	1		C01014
16	28813-064-000	CHAIN, pedal shaft (DK219H-34L)..	1		
17	46509-064-010	KEY, wood ruff 5 x 5.....	1		
18	90451-081-000	WASHER, thrust, 17 mm.....	6		
19	90459-082-000	WASHER, thrust, 30 mm.....	1		
20	90468-064-000	WASHER, 17 mm.....	1		
21	94510-20000	CIR-CLIP, external, 20 mm.....	4		C01013
22	94510-17150	CIR-CLIP, external, 17 mm.....	2		C01014
23	94510-17000	CIR-CLIP, external, 17 mm.....	1		C01014
24	96100-60040	BEARING, radial ball, 6004.....	1		

# E-5 CLUTCH

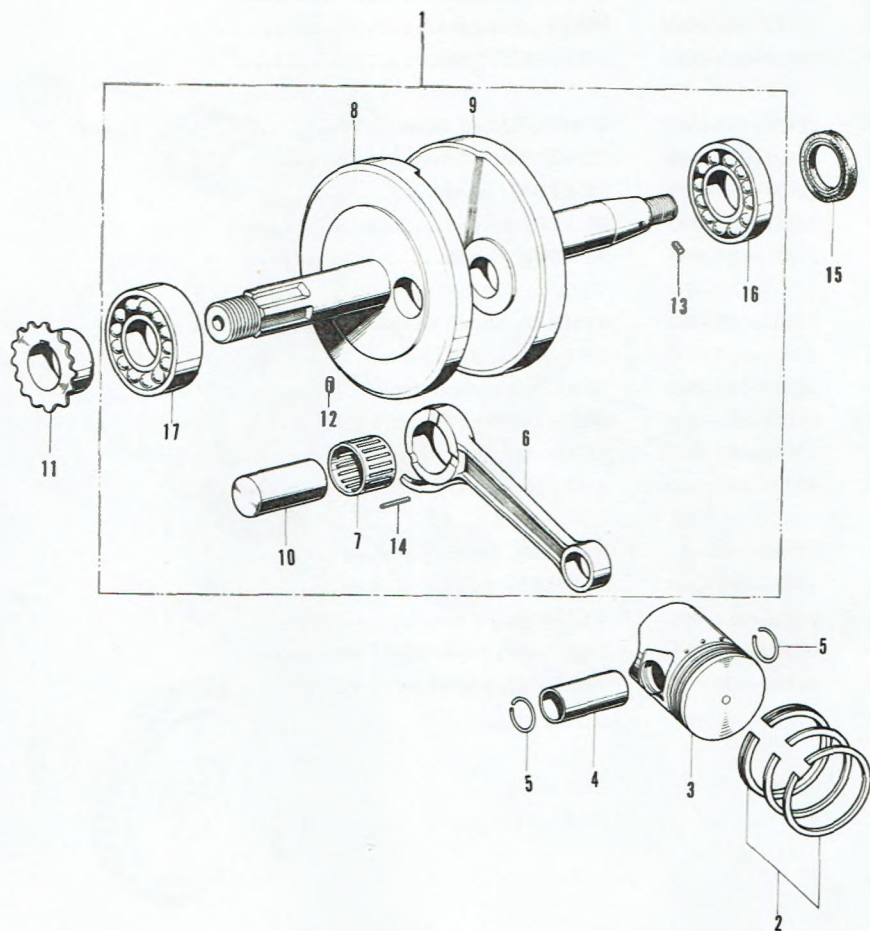


### E-5 CLUTCH

Ref. No.	Part No.	Description	Qty used		Remarks
			P	S	
1	14315-083-000	COLLAR, timing sprocket distance	1		
2	22101-064-010	OUTER, clutch.....	1		
3	22111-064-020	COVER, clutch outer.....	1		
4	22112-082-000	PIN, clutch cover.....	1		
5	22120-064-000	CENTER, clutch.....	1		
6	22131-064-010	GUIDE, clutch center.....	1		
7	22201-035-000	DISK, clutch friction.....	1		
8	22331-035-000	PLATE C, clutch.....	1		
9	22351-082-000	PLATE, drive.....	1		
10	22401-035-000	SPRING, clutch.....	4		
11	22421-035-000	SPRING, clutch damper.....	2		
12	22901-001-000	SET-RING, 101.5 mm.....	1		
13	23101-064-010	GEAR, primary drive (18T).....	1		
14	23110-081-020	GEAR, primary drive (54T).....	1		C00009
	23110-083-000	GEAR, primary drive (54T).....	1		C00010
15	90231-041-000	NUT, lock, 14 mm.....	1		
16	90443-044-000	WASHER, lock, 14 mm.....	1		
17	90451-082-000	WASHER, thrust, 17 mm.....	1		
18	90466-082-000	WASHER, 10 mm.....	0 - 3		
19	94510-17000	CIR-CLIP, external 17 mm.....	1		
20	96100-60000	BEARING, radial ball, 6000.....	1		



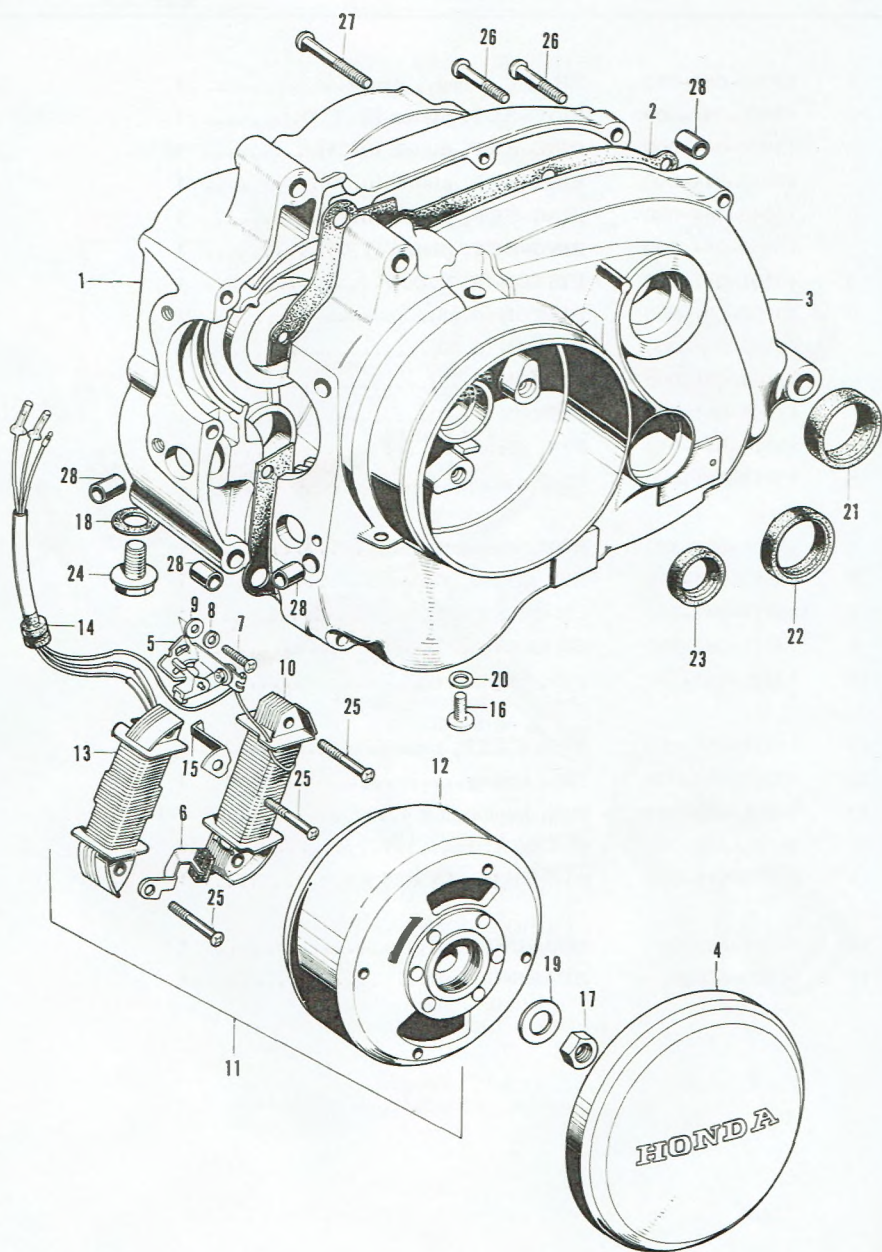
# E-6 PISTON-CRANK SHAFT



## E-6 PISTON-CRANK SHAFT

Ref. No.	Part No.	Description	Qty used P S 50 K1	Remarks
1	13000-081-010	SHAFT, comp., crank.....	1	
2	13010-044-000	RING-SET, piston (S.T.D.).....	1	
	13020-044-000	RING-SET, piston (0.25).....	1	
	13030-044-000	RING-SET, piston (0.50).....	1	
	13040-044-000	RING-SET, piston (0.75).....	1	
	13050-044-000	RING-SET, piston (1.00).....	1	
3	13101-081-000	PISTON (S.T.D.).....	1	
	13102-081-000	PISTON (0.25).....	1	
	13103-081-000	PISTON (0.50).....	1	
	13104-081-000	PISTON (0.75).....	1	
	13105-081-000	PISTON (1.00).....	1	
4	13111-044-010	PIN, piston.....	1	
5	13115-001-000	CLIP, piston.....	2	
6	13201-063-300	ROD, connecting.....	1	
7	13211-044-030	RETAINER, roller.....	1	
8	13311-081-310	CRANKSHAFT, right.....	1	
9	13321-063-310	CRANKSHAFT, left.....	1	
10	13381-063-300	PIN, crank.....	1	
11	14311-081-010	SPROCKET, timing (15T).....	1	
12	90719-081-000	PIN, timing.....	1	
13	90741-044-000	PIN, knock, 3 x 4.....	1	
14	91101-205-010	ROLLER, rod.....	20	
15	91211-044-000	OIL-SEAL, 15 x 25 x 6.....	1	
16	96100-62020	BEARING, ball.....	1	
17	96100-62030	BEARING, ball.....	1	

# E-7 CRANK CASE - A.C. GENERATOR

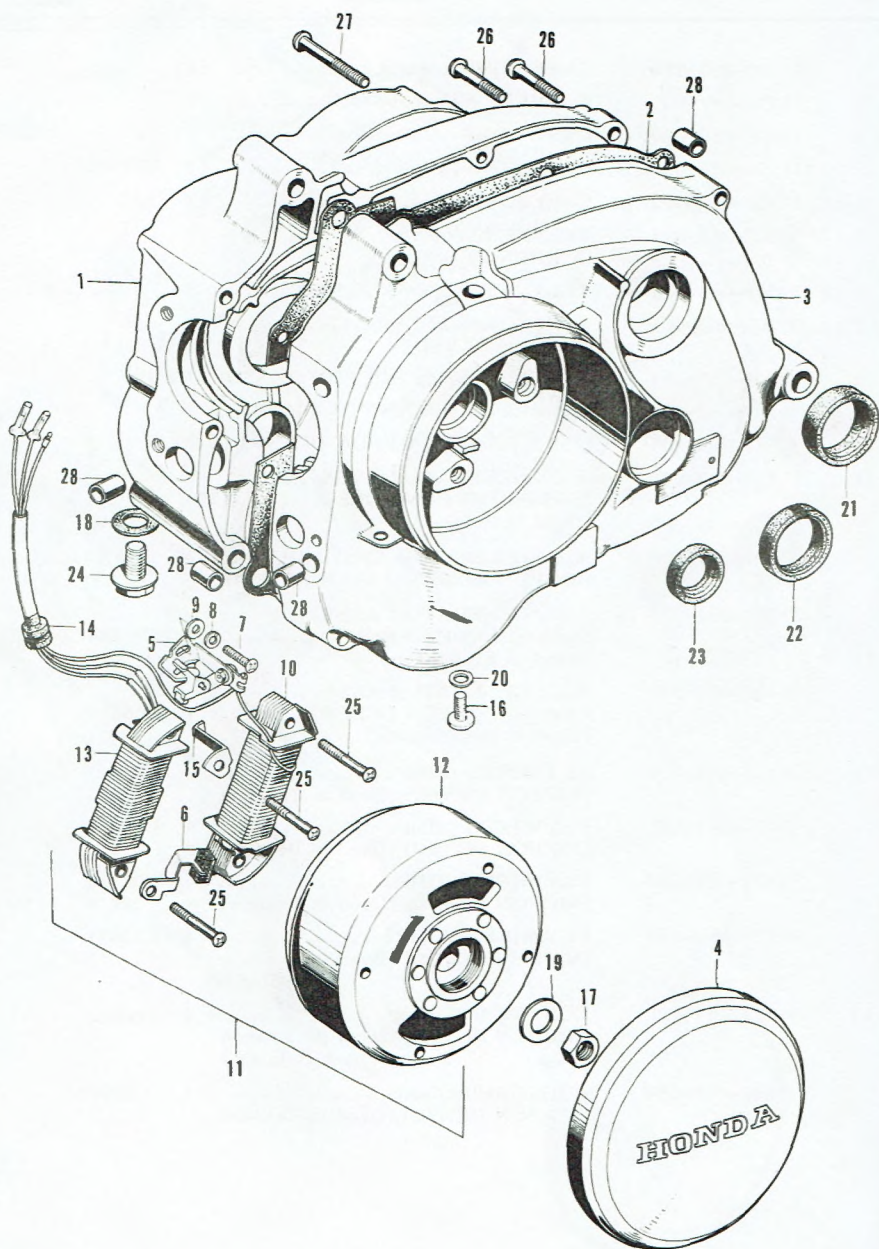




### E-7 CRANK CASE A.C.GENERATOR

Ref. No.	Part No.	Description	Qty used P S 50 K1	Remarks
1	11100-081-010	CASE COMP., right crank.....	1	
2	11191-081-000	GASKET, crankcase.....	1	
3	11200-082-010	CASE COMP., left crank.....	1	C02583
	11200-082-020	CASE COMP., left crank.....	1	C02584
4	11431-063-000	COVER, dynamo.....	1	
5	30202-063-004	BREAKER, contact..... (NIPPON DENSO)	1	
6	30205-044-004	FELT, oil (NIPPON DENSO).....	1	
7	30207-063-004	SCREW, breaker set..... (NIPPON DENSO)	1	
8	30208-063-004	WASHER, spring (NIPPON DENSO)	1	
9	30209-063-004	WASHER, plain (NIPPON DENSO)...	1	
10	30541-063-004	COIL, primary (NIPPON DENSO)...	1	
11	31100-063-621	A.C. GENERATOR ASSY., flywheel (NIPPON DENSO)..... (Used in Belgian)	1	C00011
	31100-063-680	A.C.GENERATOR ASSY.,flywheel... (NIPPON DENSO)(Used in Taiwan)	1	C00001
	31100-082-620	A.C. GENERATOR ASSY., flywheel (NIPPON DENSO)..... (Used in France)	1	C02584
	31100-082-690	A.C. GENERATOR ASSY., flywheel (NIPPON DENSO)..... (Used in Netherlands)	1	C00831
12	31121-063-004	FLYWHEEL COMP. .... (NIPPON DENSO) (Used in Taiwan)	1	C00001
	31121-063-621	FLYWHEEL COMP. .... (NIPPON DENSO) (Used in Belgian)	1	C00011
	31121-082-620	FLYWHEEL COMP. .... (NIPPON DENSO) (Used in France)	1	C02584
	31121-082-690	FLYWHEEL COMP. .... (NIPPON DENSO) (Used in Netherlands)	1	C00831
13	31632-063-621	COIL COMP., lump..... (NIPPON DENSO) (Used in France & Belgian)	1	C00011
	31632-063-680	COIL COMP., lump..... (NIPPON DENSO).(Used in Taiwan)	1	C00001

# E-7 CRANK CASE-A.C.GENERATOR

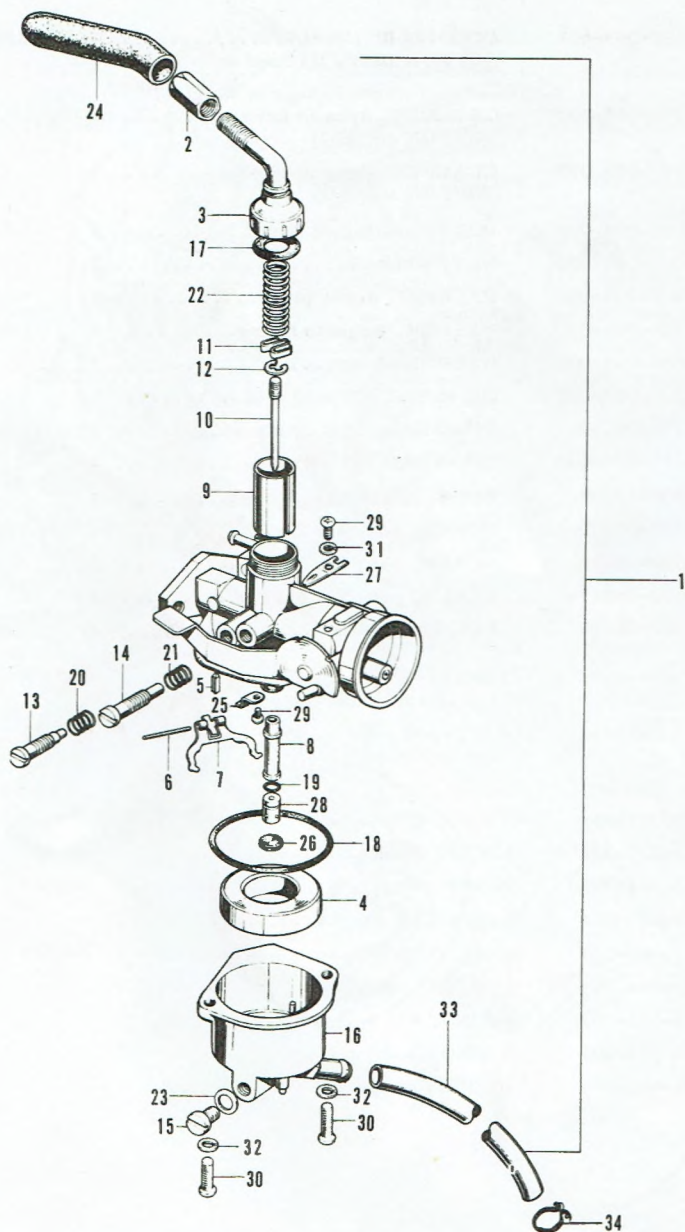


## E-7 CRANK CASE A.C.GENERATOR

Ref. No.	Part No.	Description	Q'ty used P S 50 K1	Remarks
	31632-063-691	COIL COMP , lump..... (NIPPON DENSO) (Used in Netherlands)	1	C00831
14	32956-063-300	GROMMET, dynamo cord..... (NIPPON DENSO)	1	
15	32957-063-010	CLAMPER, dynamo cord..... (NIPPON DENSO)	1	
16	90081-044-000	BOLT, sealing, 8 mm.....	1	
17	90201-044-000	NUT, 10 mm.....	1	
18	90407-259-000	PACKING, drain plug.....	1	
19	90426-001-000	WASHER, magneto fixing.....	1	
20	90488-044-000	WASHER, 8 mm.....	1	
21	91203-081-005	OIL-SEAL, 20 x 30 x 6.....	1	
22	91203-082-005	OIL-SEAL, 17 x 29 x 5.....	1	
23	91211-044-000	OIL-SEAL, 15 x 25 x 6.....	1	
24	92800-12000	BOLT, drain plug, 12 mm.....	1	
25	93500-04022-0A	SCREW, pan, 4 x 22.....	4	
26	93500-06036	SCREW, pan, 6 x 36.....	2	
27	93500-06045	SCREW, pan, 6 x 45.....	1	
28	94301-08120	PIN, knock, 8 x 12.....	4	



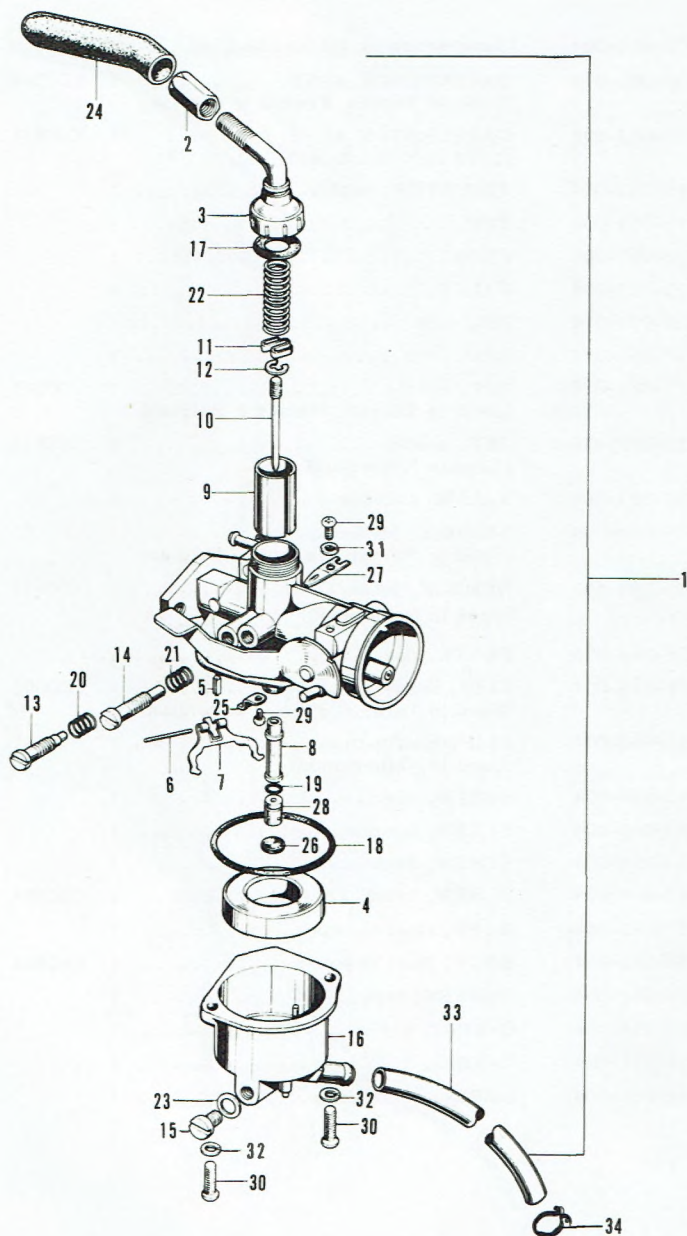
# E-8 CARBURETOR (KEIHIN)



### E-8 CARBURETOR (KEIHIN)

Ref. No.	Part No.	Description	Q'ty used P S 50 K1	Remarks
1	16100-082-004	(Superseded by 16100-082-014)....	1	C02583
	16100-082-014	CARBURETOR ASSY. .... (Used in Taiwan, France & Belgian)	1	C02584
	16100-082-691	CARBURETOR ASSY. .... (Used in Netherlands)	1	C00831
2	16118-063-004	ADJUSTER, cable.....	1	
3	16119-063-004	TOP.....	1	
4	16122-063-004	FLOAT.....	1	
5	16123-063-004	VALVE, float.....	1	
6	16126-063-014	PIN, arm.....	1	
7	16127-063-014	ARM, float.....	1	
8	16133-081-004	JET, needle..... (Used in Taiwan, France & Belgian)	1	C00001
	16133-081-690	JET, needle..... (Used in Netherlands)	1	C00831
9	16141-063-004	VALVE, throttle.....	1	
10	16151-063-004	NEEDLE, jet..... (Used in Taiwan, France & Belgian)	1	C00001
	16151-063-690	NEEDLE, jet..... (Used in Netherland)	1	C00831
11	16156-044-004	PLATE, needle clip.....	1	
12	16157-044-004	CLIP, needle..... (Used in Taiwan, France & Belgian)	1	C00001
	16157-063-004	CLIP, needle..... (Used in Netherlands)	1	C00831
13	16162-044-004	SCREW, air.....	1	
14	16163-063-004	SCREW, throttle stop.....	1	
15	16164-225-004	SCREW, drain.....	1	C02583
	16162-304-004	SCREW, drain.....	1	C02584
16	16167-082-004	BODY, float chamber.....	1	C02583
	16167-082-014	BODY, float chamber.....	1	C02584
17	16171-044-004	WAHSER, top.....	1	
18	16173-063-004	O-RING, 43 $\phi$ .....	1	
19	16176-551-004	O-RING, 3.2 $\phi$ .....	1	
20	16181-001-004	SPRING, air screw.....	1	

# E-8 CARBURETOR (KEIHIN)





### E-8 CARBURETOR (KEIHIN)

Ref. No.	Part No.	Description	Qty used P S 50 K:	Remarks
21	16181-250-004	SPRING, throttle stop screw.....	1	
22	16185-044-004	SPRING, throttle.....	1	
23	16189-056-004	WASHER, fiber, 6.2 $\phi$ .....	1	C02583
	16175-001-004	O-RING, 4.47 $\phi$ x 1.78 .....	1	C02584
24	16194-063-004	CAP, cable.....	1	C02583
	16194-063-014	CAP, cable.....	1	C02584
25	16196-063-014	PLATE, arm pin set.....	1	
26	16197-063-004	PACKING.....	1	
27	16199-063-004	PLATE, clip.....	1	
28	99114-063-0580	JET, main (#58).....	1	
	99114-063-0600	JET, main (#60).....	1	
	99114-063-0620	JET, main (#62 STD.).....	1	
	99114-063-0650	JET, main (#65).....	1	
	99114-063-0680	JET, main (#68).....	1	
	99114-063-0520	JET, main (#52)..... (Used in Netherlands )	1	C00831
	99114-063-0550	JET, main (#55 STD.)..... (Used in Netherlands)	1	C00831
	99114-063-0580	JET, main (#58)..... (Used in Netherlands)	1	C00831
29	93500-03005-0A	SCREW, pan, 3 x 5.....	2	
30	93500-04012-0A	SCREW, pan, 4 x 12.....	2	
31	94111-03000	WASHER, spring, 3 mm.....	1	
32	94111-04000	WASHER, spring, 4 mm.....	2	
33	95001-35140	TUBE, fuel, 3.5 x 140.....	1	C02583
	95001-35180-40	TUBE, fuel, 3.5 x 180.....	1	C02584
34	95002-02070	CLIP, tube .....	1	C02584

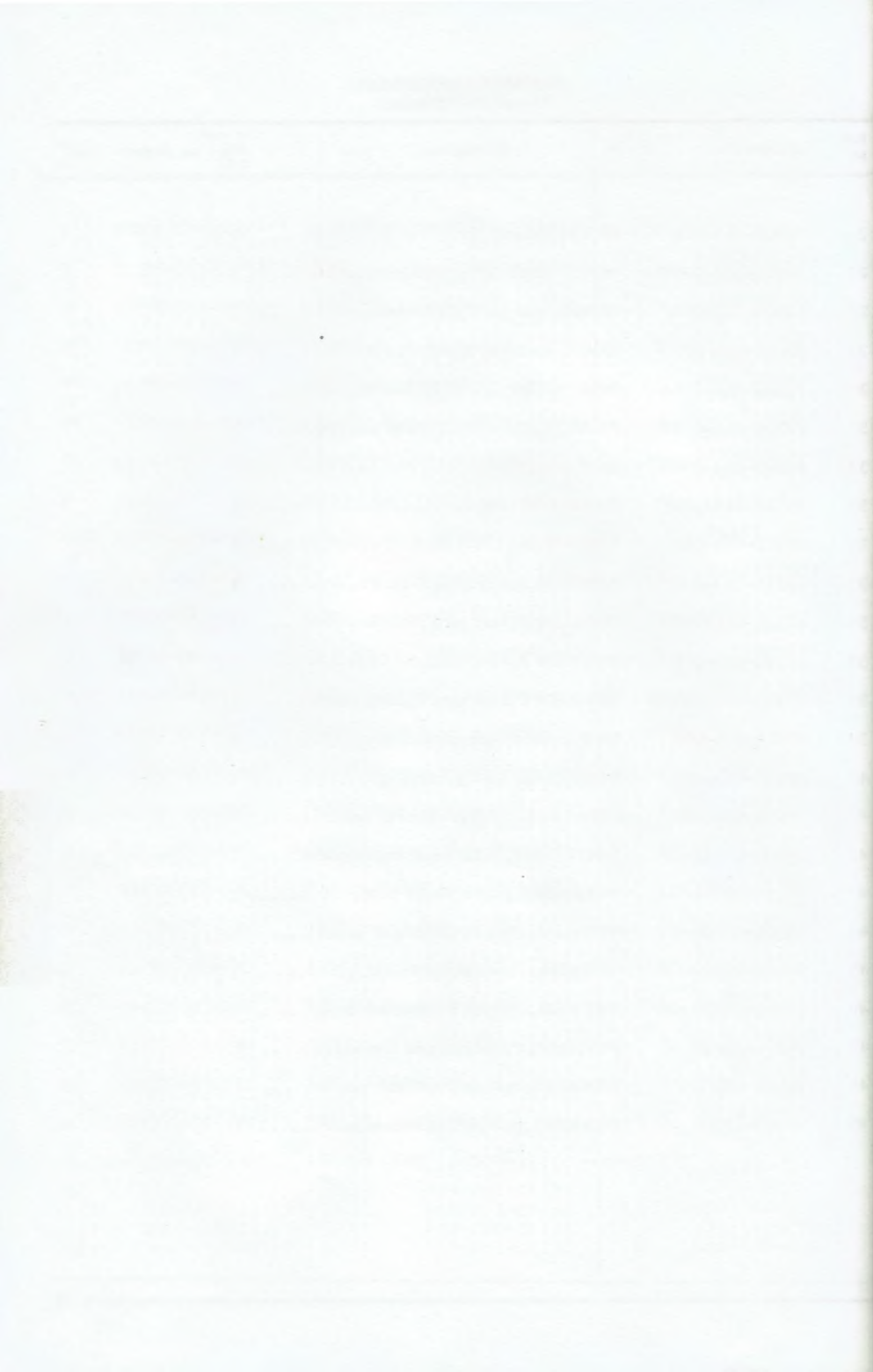
**FRAME COMPONENTS**  
(Used in France)

Ref. No.	Part No.	Description	Q'ty used P S 50 K1	Remarks
1	17205-063-020	ELEMENT COMP.,air cleaner.....	1	
2	17225-063-020CH	CASE,air cleaner(Cloud white).....	1	
3	17227-063-010	PACKING,inlet tube.....	1	
4	17251-081-000	TUBE,air cleaner inlet.....	1	
5	17253-081-000	TUBE,air connecting.....	1	
6	17260-081-000CH	COVER,carburetor(Cloud white)....	1	
7	17613-064-020	CUSHION,fuel tank rear.....	1	
8	18300-082-6 22	MUFFLER COMP.,exhaust.....	1	
9	18400-081-020	COVER, exhaust pipe.....	1	
10	18401-063-000	CLIP,exhaust cover.....	2	
11	30500-063-004	COIL,ignition.....	1	
12	30700-063-681	CAP ASSY.,noise suppressor.....	1	
13	35100-082-620	SWITCH ASSY.,lighting.....	1	
14	41201-082-620	SPROCKET,fianl driven(41T).....	1	
15	42313-063-000	COLLAR,side,rear brake panel....	1	
16	42601-081-010	HUB COMP.,rear wheel.....	1	
17	42620-063-010	COLLAR,rear axle distance.....	1	
18	43100-063-020	PANEL COMP.,rear brake.....	1	
19	43141-081-000	CAM,rear brake.....	1	
20	43410-081-000	ARM,rear brake.....	1	
21	43470-082-000	RECEIVER,rear brake.....	1	
22	43473-063-000	NUT,rear brake adjust.....	1	
23	45120-063-003	SHOE COMP.,brake.....	2	
24	45133-044-000	SPRING,brake shoe.....	1	
25	46500-082-000	LEVER COMP.,brake.....	1	

**FRAME COMPONENTS**  
(Used in France)

Ref. No.	Part No.	Description	Qty used		Remarks
			P	S	
26	46509-064-010	KEY, woodruff, 5x5.....	1		
27	50100-081-000Z	BOKY COMP., frame(Base coating)....	1		
28	52108-023-000	BUSH, rear fork pivot rubber.....	2		
29	53600-044-000	LOCK, steering handle.....	1		
30	77200-082-690A	SEAT COMP., double(Black).....	1		
31	77500-082-000Z	PLATE, seat setting(Base coating)....	1		
32	83500-064-010B	BOX, tool(Black).....	1		
33	83512-064-000	BAND, tool box.....	1		
34	83513-044-000	DRIVER.....	1		
35	83517-063-000	WRENCH, spark plug.....	1		
36	87121-286-010	EMBLEM A, fuel tank, R.....	1		
37	87122-286-010	EMBLEM A, fuel tank, L. ....	1		
38	87123-286-030XK	EMBLEM B, fuel tank(Candy blue)....	1		
39	87311-516-000	NUT, rear ornament clamp .....	8		
40	90121-063-000	BOLT, rear fork pivot.....	1		
41	90752-044-000	OIL-SEAL, 17x32x6 (Wheel hub).....	1		
42	92000-05022-OA	BOLT, hex., 5x22(Rear brake panel)...	1		
43	92210-08034-OA	BOLT, hex., 8x34(Wheel hub).....	3		
44	94001-05000-OS	NUT, hex., 5mm(Rear brake panel)....	1		
45	94002-08000-OS	NUT, hex., 8mm(Wheel hub).....	3		
46	94111-08000-OS	WASHER, spring, 8mm(Wheel hub).....	3		
47	94201-20220	PIN, split, 2.0x22(brake lever).....	1		
48	96100-62010	BEARING, ball, 6201(Wheel hub).....	1		
49	96140-62010	BEARING, ball, 6201R(Wheel hub).....	1		





**INDEX**

Part No.	Page	Part No.	Page	Part No.	Page
11000		14315-083-000	13	16181-001-004	21
11100-081-010	17	14401-081-000	9	16181-250-004	23
11191-081-000	17	14411-081-000	9	16185-044-004	23
11200-082-010	17	14431-081-000	9	16189-056-004	23
11200-082-020	17	14451-081-000	9	16194-063-004	23
11215-081-000	9	14500-081-000	9	16194-063-014	23
11215-114-010	9	14541-081-000	9	16196-063-014	23
11218-081-000	9	14711-081-010	9	16197-063-004	23
11218-081-010	9	14721-081-010	9	16199-063-004	23
11331-082-000	7	14721-081-000	9	16265-081-000	5
11351-082-000	7	14751-081-000	9	16267-081-000	5
11394-081-010	7	14771-081-010	9		
11431-063-000	17	14781-001-010	9		
		14791-081-000	9	17000	
12000				17205-063-020	24
12100-081-010	5	15000		17225-063-020CH	24
12191-081-000	5	15331-035-000	9	17227-063-010	24
12200-081-010	5	15332-035-000	9	17251-081-000	24
12210-081-000	5	15361-081-000	9	17253-081-000	24
12251-081-000	5	15382-081-000	9	17260-081-000CH	24
12301-082-030	5	15650-040-000	7	17613-064-020	24
12391-081-040	5			18000	
13000		16000		18300-082-620	24
13000-081-010	15	16100-082-004	21	18400-081-020	24
13010-044-000	15	16100-082-014	21	18401-063-000	24
13020-044-000	15	16100-082-691	21		
13030-044-000	15	16118-063-004	21	22000	
13040-044-000	15	16119-063-004	21	22101-064-010	13
13050-044-000	15	16122-063-004	21	22111-064-020	13
13101-081-000	15	16123-063-004	21	22112-082-000	13
13102-081-000	15	16126-063-014	21	22120-064-000	13
13103-081-000	15	16127-063-014	21	22131-064-010	13
13104-081-000	15	16133-081-004	21	22201-035-000	13
13105-081-000	15	16133-081-690	21	22331-035-000	13
13111-044-010	15	16141-063-004	21	22351-082-000	13
13115-001-000	15	16151-063-004	21	22401-035-000	13
13201-063-300	15	16151-063-690	21	22421-035-000	13
13211-044-030	15	16156-044-004	21	22810-064-020	7
13311-081-310	15	16157-044-004	21	22813-064-000	7
13321-063-310	15	16157-063-004	21	22815-064-030	7
13381-063-300	15	16162-044-004	21	22901-001-000	13
14000		16162-304-004	21		
14101-081-020	9	16163-063-004	21	23000	
14105-081-010	9	16164-225-004	21	23101-064-010	13
14311-081-010	15	16167-082-004	21	23110-081-020	13
		16167-082-014	21	23110-083-000	13
		16171-044-004	21		
		16173-063-004	21		
		16175-001-004	23		
		16176-551-004	21		

### INDEX

Part No.	Page	Part No.	Page	Part No.	Page
23210-082-000	11	31121-063-621	17	52000	
23221-082-000	11	31121-082-620	17		
23421-082-000	11	31121-082-690	17	52108-023-000	25
23441-082-000	11	31632-063-621	17		
23442-082-000	11	31632-063-680	17		
23461-082-000	11	31632-063-691	19	53000	
23801-081-000	11				
23801-082-690	11				
		35000		53600-044-000	25
24000					
		35100-082-620	24	77000	
24201-082-000	11			77200-082-690A	25
24205-082-000	11			77500-082-000Z	25
24208-082-000	7	41000			
24611-082-000	7				
24630-082-000	7	41201-082-620	24	83000	
24641-064-000	7				
24661-064-000	7	42000		83500-064-010B	25
24672-082-000	7			83512-064-000	25
		42313-063-000	24	83513-044-000	25
28000		42601-081-010	24	83517-063-000	25
		42620-063-010	24		
28239-082-000	11			87000	
28802-082-000	11				
28806-082-000	11	43000		87121-286-010	25
28807-082-000	11			87122-286-010	25
28811-082-000	11	43100-063-020	24	87123-286-030XK	25
28811-082-010	11	43141-081-000	24	87311-516-000	25
28812-082-000	11	43410-081-000	24		
28813-064-000	11	43470-082-000	24		
		43473-063-000	24	90000	
30000					
		45000		90012-081-010	9
30202-063-004	17			90081-044-000	19
30205-044-004	17	45120-063-003	24	90121-063-000	25
30207-063-004	17	45133-044-000	24	90201-044-000	19
30208-063-004	17			90206-023-000	9
30209-063-004	17			90231-041-000	13
30500-063-004	25	46000		90407-259-000	19
30541-063-004	17			90426-001-000	19
30700-063-681	24	46500-082-000	24	90443-044-000	13
		46509-064-010	11	90445-081-000	9
			25	90451-081-000	11
31000				90451-082-000	13
				90459-082-000	11
31100-063-621	17	50000		90466-082-000	13
31100-063-680	17			90468-064-000	11
31100-082-620	17	50100-081-000Z	25	90471-081-000	9
31100-082-690	17			90478-700-000	5
31121-063-004	17				



## INDEX

Part No.	Page		
90488-044-000	19		
90511-216-670	9		
90603-044-000	7		
90719-081-000	15		
90741-044-000	15		
90752-044-000	25		
91000			
91101-205-010	15		
91203-081-005	7		
	19		
91203-082-005	19		
91211-044-000	15		
	19		
91301-812-000	7		
91308-283-000	7		
91311-044-000	7		



**HONDA**  
HONDA MOTOR CO., LTD. TOKYO, JAPAN